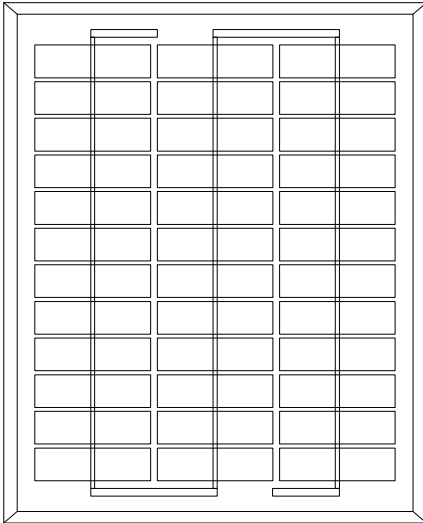




Online Solar, LLC

642 Ponte Villa South
 Baltimore, MD 21230
 Tel: +1.888.680.2427
 Fax: +1.410.528.9445

VLS-5W Panels Specifications



Laminate: Glass /EVA / TPT (tedlar/pet/tedlar) or TPE

Front Side: High-transmission 3.2mm tempered glass

Back Side: TPT /TPE

Frame: Clear anodized aluminum frame

Output cable: #18-2x15'

Module Type	Pm(Wp)±10%	Vmpp(V)	Imp(A)	Voc(V)	Isc(A)	Module size(mm)	NET(kg)
VLS-5W	5	17.1	0.29	21.4	0.32	300*190*35mm 11.8"*7.5"*1.38"	0.7

Operation Temperature Range: - 40°C ~ 85°C

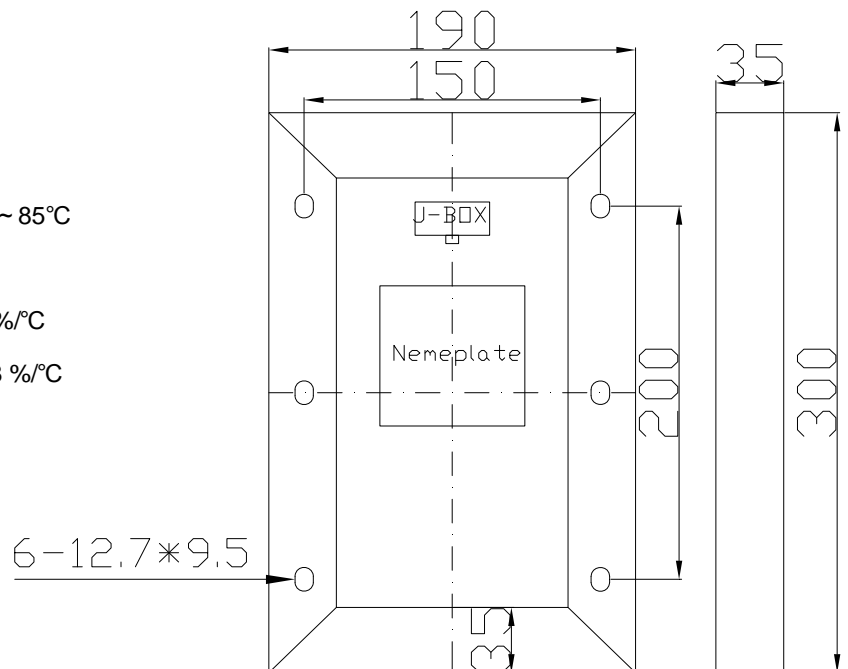
NOCT: 48°C±3°C

Temperature coefficients of Im: + 0.1 %/°C

Temperature coefficients of Vm: - 0.38 %/°C

Maximum System Voltage: DC715V

STC: 1000W/m² , 25°C , AM1.5



All the data of this sheet are subjected to change without notice.



Online Solar, LLC

642 Ponte Villa South
 Baltimore, MD 21230
 Tel: +1.888.680.2427
 Fax: +1.410.528.9445