

# SLP060-12U-MC

High Efficiency Multicrystalline PV Module

Electrical Characteristics	SLP060-12U-MC
Product code	060011210
Maximum power (Pmax)	60W
Voltage at Pmax (Vmp)	17.2V
Current at Pmax (Imp)	3.49A
Open-circuit voltage (Voc)	21.6V
Short-circuit current (Isc)	3.86A
Temperature coefficient of Voc	-(80±10)mV/°C
Temperature coefficient of Isc	(0.065±0.015)%/°C
Temperature coefficient of power	-(0.5±0.05)%/°C
NOCT (Air 20°C; Sun 0.8kW/m² wind 1m/s)	47±2°C
Operating temperature	-40°C to 85°C
Maximum system voltage	1000V DC
Power tolerance	± 5%

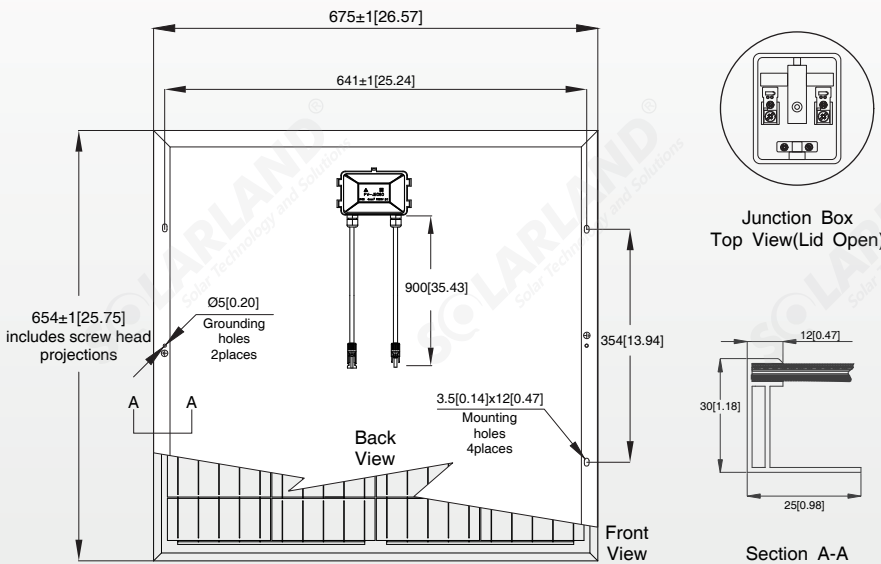
\*STC: Irradiance 1000W/m², AM1.5 spectrum, module temperature 25°C

\*NOCT:Nominal operating cell temperature (the data is only for reference)



## Module Diagram

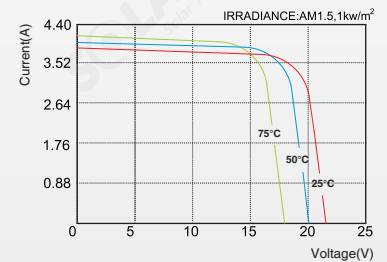
Dimensions in brackets are in inches.  
Un-bracketed dimensions are in millimeters.  
Unit: mm[in.]



## Features

- Nominal 12V DC for standard output.
- Outstanding low-light performance.
- Heavy-duty anodized frames.
- High transparent low-iron,tempered glass.
- Rugged design to withstand high wind pressure, hail and snow load.
- Aesthetic appearance.

## Characteristics



Specifications	SLP060-12U-MC
Cells	Polycrystalline silicon solar cell
No. of cells and connections	36(4X9)
Module dimension	654mm[25.75in.]x675mm[26.57in.]x30mm[1.18in.]
Weight	5.65kg[12.46lbs]
Packing information(Carton)	690mm[27.17in.]x180mm[7.09in.]x675mm[26.57in.]/(5pcs/ctn)

\*Limited warranty: 5-year limited warranty of materials and workmanship; 10-year limited warranty of 90% power output; 25-year limited warranty of 80% power output. For detail, please contact us.

\*Specifications are subject to change without notice at any time.