

SLB-0123

Double Arm Side of Pole/ Wall Mount

The Solarland® SLB-0123 has been specifically designed for solarland SLP series solar panels and can be adapted with other panels up to 27 inches in width.



Specifications

Mounting Type	Double Arm Side of Pole/Wall Mount
Module Type	Specifically designed to work with Solarland SLP series solar panels, but can be adapted for use with other panels
Number of Modules	Mounts 1 Panel
Setting Angle	0°-90°
Wind Load	Designed to withstand wind speeds of 90mph
Snow Loading	1.1kN/m ²
Warranty	5 Years

Kit Components

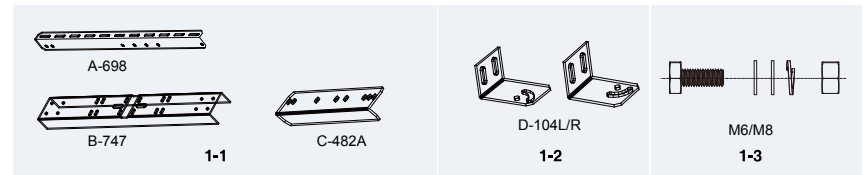
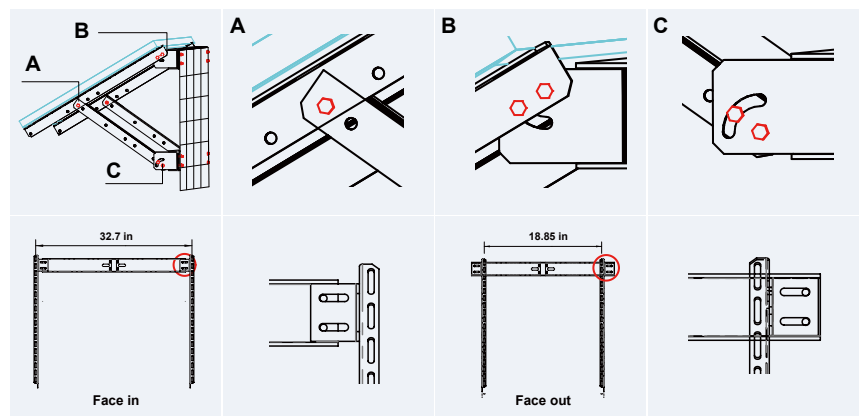


Diagram	Component	Material	Surface Treatment	Quantity	Dimensions
1-1	Fixed Bracket	Aluminum Alloy	N/A	2/2/2	A-698=27.5×1.97×1.1in, B-747=29.4×3.3×1.9in C-482A=19×1.7×1.1in
1-2	Fixed Bracket	Aluminum Alloy	N/A	2/2	D104L/R=4.1×3×2.5in
1-3	Bolts	Stainless Steel	N/A	4/18	M6=6×18mm, M8=8×20mm

*Note: U-Bolts or Steel Clamps are not supplied in this kit and must be procured separately if pole mount is required



Mounting Diagram



Note:

- When using this kit with another brand of panel you may need to change the module bolts to suit the mounting holes on the panel. M8 & M6 bolts are provided with this kit for your preference.

Office Address

301 Doubleday Ave. Ontario, CA 91761

Phone

tf. 1-800-605-9718 t. 1-909-937-7187
f. 1-909-533-2562

Network

Email

sales@solarlandusa.com

Website

www.solarlandusa.com