

Online Solar, LLC
 PO Box 812
 Hunt Valley, MD 21030
 P: 888-680-2427
 E: sales@mrsolar.com



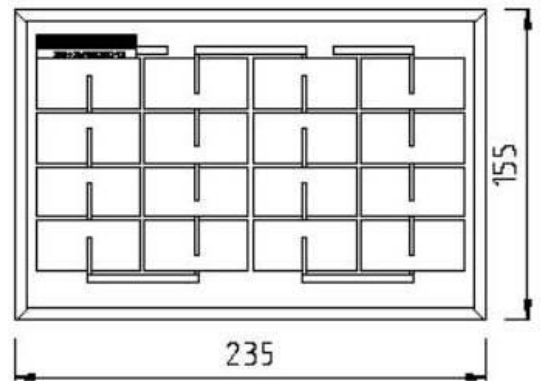
Product Information Sheet

OLS-3-7 Solar Module

General Information

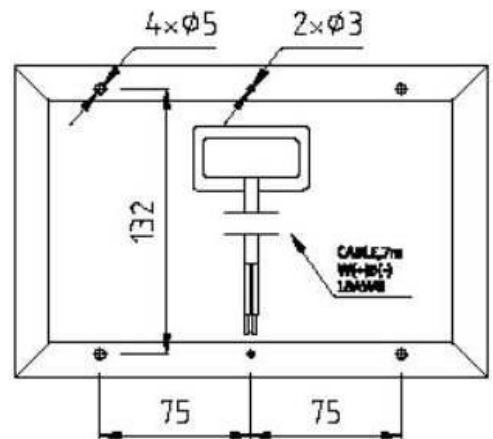
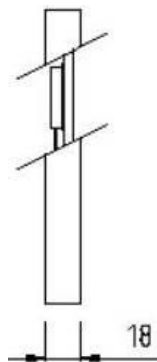
- High performance crystalline cells
- High energy yields in a wide variety of climates
- Anodized aluminum frame provides for easy mounting

Electrical Characteristics		
Typical Data At STC		
		OLS-3-7
Rated Power	Pmax	3W
Peak Power Voltage	Vmp	7.68V
Peak Power Current	Imp	0.39A
Open Circuit Voltage	Voc	9.6V
Short Circuit Current	Isc	0.43A



The performance of the solar cells is measured at Standard Test Conditions (STC): 1000W/m² irradiance, AM 1.5 spectrum and 25°C cell temperature

Physical Characteristics		
Length	235mm	9.25"
Width	155mm	6.10"
Thickness	18mm	0.70"



Cable Characteristics	
Gauge	18/2
Length	23 ft.