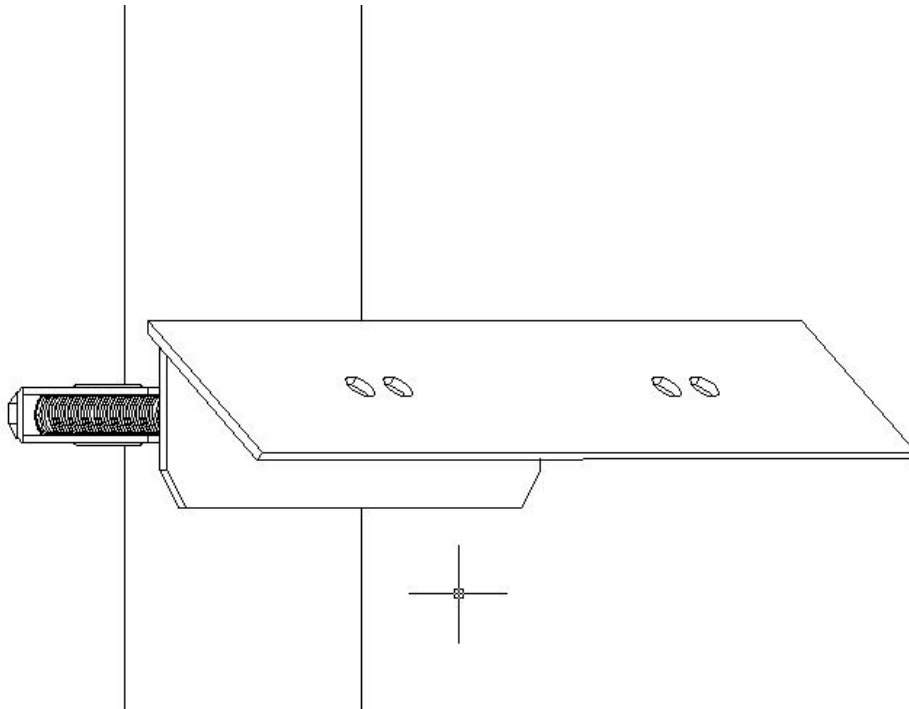


## Solartech Power Universal Side-of-Pole Mount Installation Guide

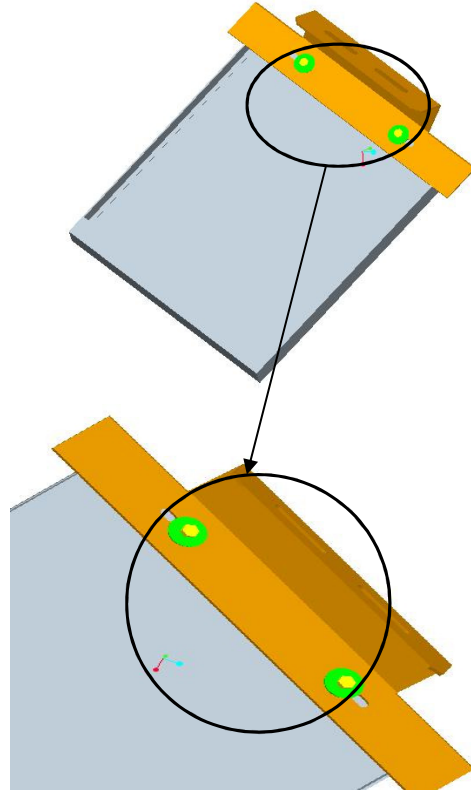


The Mount supports These Solar PV panels:  
**SPM005P, SPM010P**

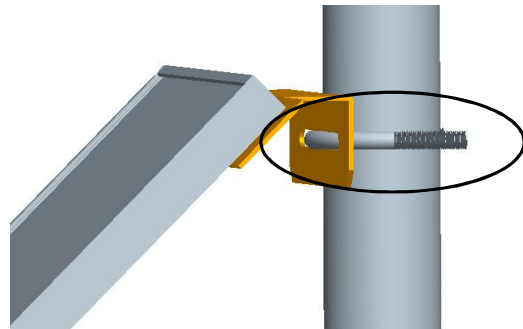
<b>Component List</b>	
Part	Qty
Mounting Bracket	1
U clamp bracket	1
M8 U-Clamp for 2.5" pole	1
M8 nylon hex-cap bolt for U-bolt	2
M6 *18 hex-cap bolt for PV Module	2
M6 flat washer for PV Module	2
M6 split lock washer for PV Module	2
M6 hex nut for PV Module	2

**Step 1 - mounting the arm to the PV module**

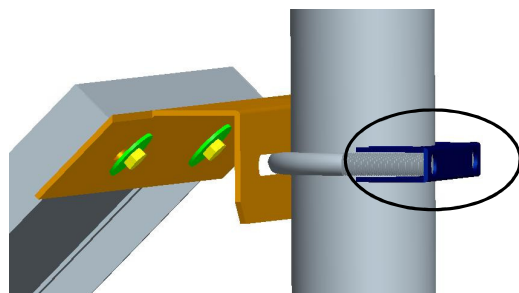
Lay the PV Module face-down on a protected flat surface then install the PV mounting bolt and washer and nuts as shown in the picture.



**Step 2 – Install the U-Clamp on the pole as shown.**



**Step 3 – Install U-Clamp backing on the U-Clamp as shown.**



**Step4– use the M8 nylon hex-cap bolts to tight down the U-Clamp**

