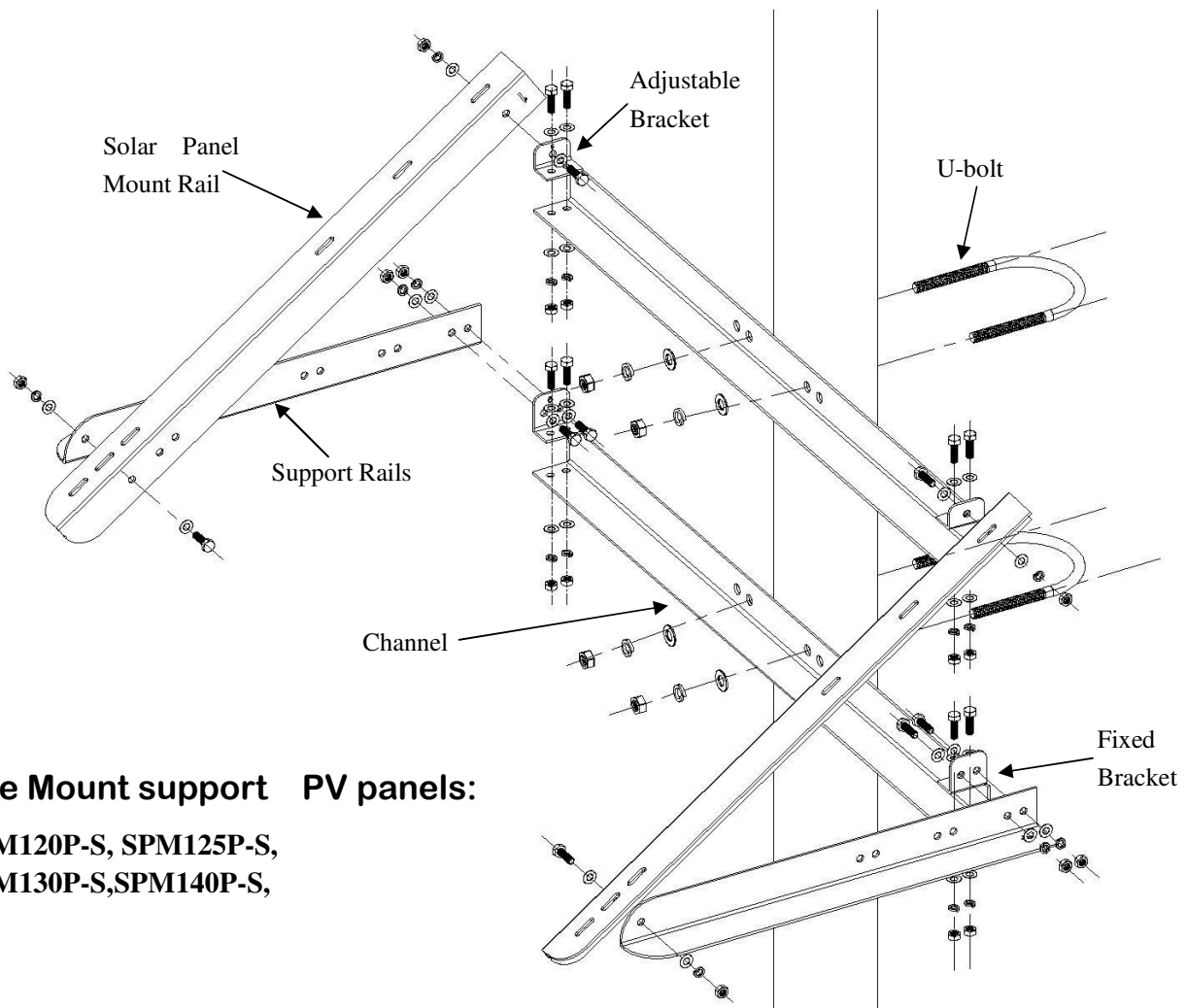


Solartech Power Universal Side-of-Pole Mount Installation Guide



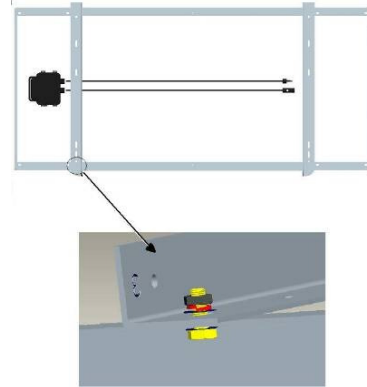
The Mount support PV panels:

SPM120P-S, SPM125P-S,
SPM130P-S, SPM140P-S,

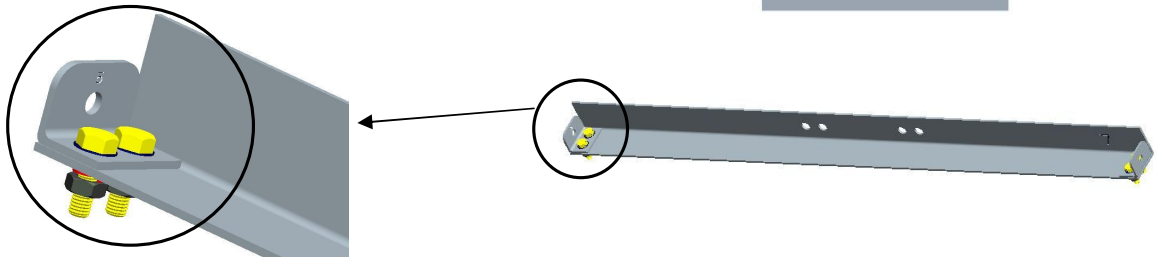
Component List		
Part	Qty	ID code
Solar Panel Mount Rail	2	1,3
Channel	2	7, 8
Support Rails	2	2,4
Adjustable Bracket	2	5
Fixed Bracket	2	6
U-bolt for \varnothing 4' pole	2	
M12 hex-cap bolt for U-bolt	4	
M12 flat washer for U-bolt	4	
M12 split lock washer for U-bolt	4	
M12 hex nut for U-bolt	4	
M10 hex-cap bolt	16	
M10 flat washer	16	
M10 split lock washer	16	
M10 hex nut	16	

Step1 - mounting the rail supports on the PV module

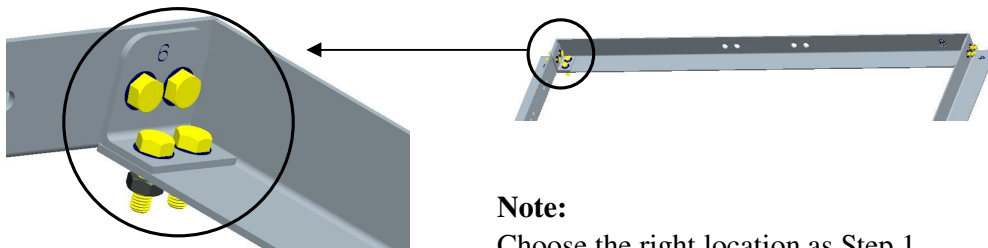
Lay the PV module face down on a protected surfaced and attach Solar Panel Mount Rail and finger tighten.



Step 2 - attaching the adjustable bracket to the top channels and finger tighten.



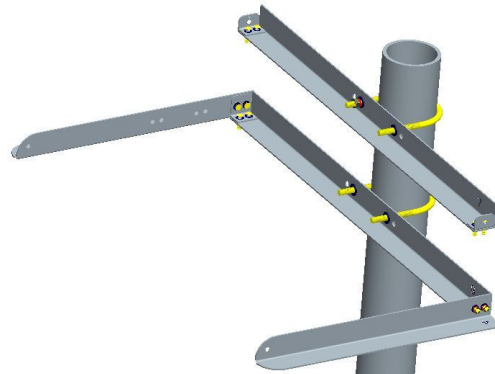
Step 3 Attaching the fixed bracket to the bottom channels, then bolt one end of support rail (with optional hole location) to the corresponding fixed bracket, and finger tighten.



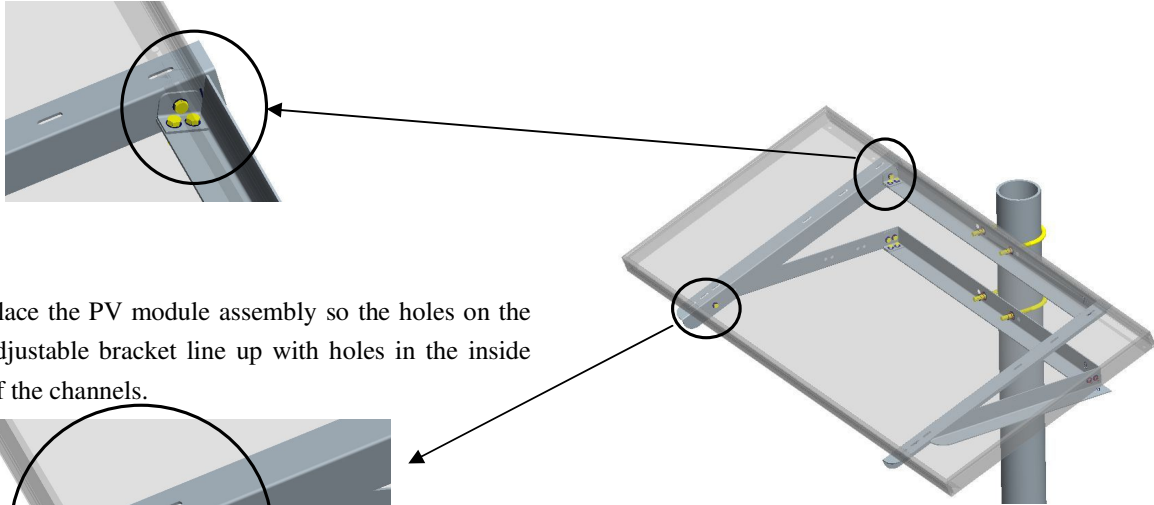
Note:
Choose the right location as Step 1

Step 4 - attaching the channels to the pole

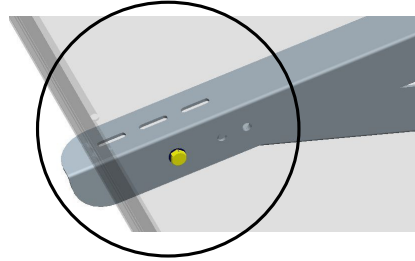
TIP:
Lock the top channels on pole, left bottom channel slack, so you can adjust the angle easily



Step 5 - mounting the PV assembly on the pole



Place the PV module assembly so the holes on the adjustable bracket line up with holes in the inside of the channels.



安装好的组件和支架 Photo of Assembled Mount.

