



**Online Solar, LLC**

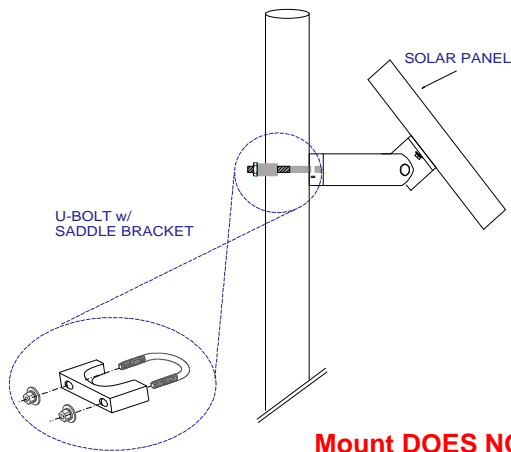
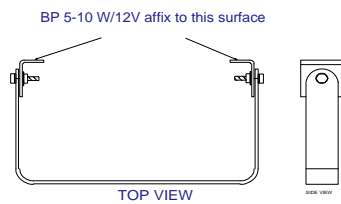
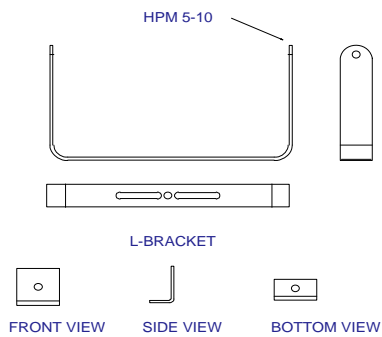
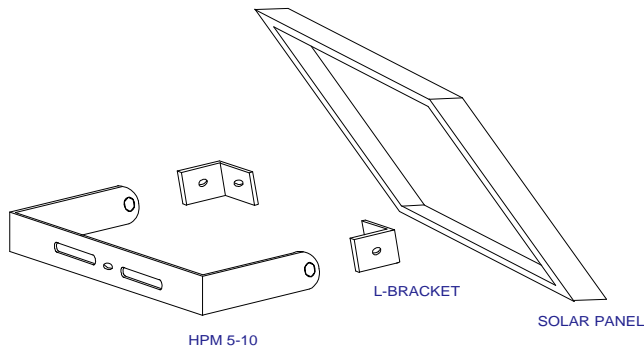
642 Ponte Villa South

Baltimore, MD 21230

Tel: +1.888.680.2427

Fax: +1.410.528.9445

## HPM 5-10



**Mount DOES NOT include U-Bolt w/ Saddle Bracket. Designed to fit 2" - 4" pole**



**Online Solar, LLC**

642 Ponte Villa South

Baltimore, MD 21230

Tel: +1.888.680.2427

Fax: +1.410.528.9445