



**2X-TPM**



FRONT VIEW

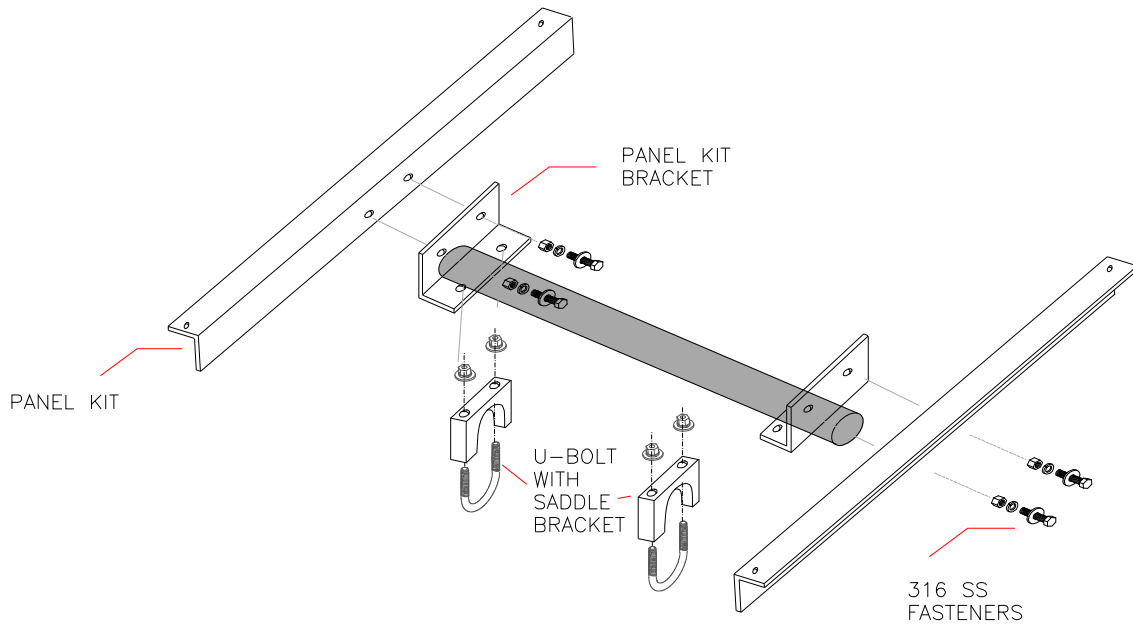
[WWW.MRSOLAR.COM](http://WWW.MRSOLAR.COM)





BACK VIEW





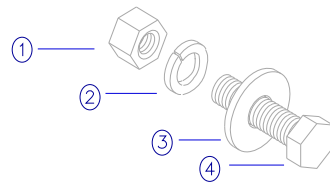
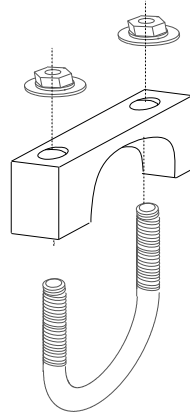






## MOUNTING HARDWARE

U-BOLT  
WITH  
SADDLE  
BRACKET



1. 316 SS NUT
2. 316 SS LW
3. 316 SS FW
4. 316 SS BOLT

EQUIPMENT : MATERIAL

POLE SUPPORT AND SLEEVE :  
SCH 80 – GALVANIZED

CROSS RAILS AND PANEL KITS  
6061 T6, AL

All fasteners are 316 Stainless Steel

