



MidNite Solar

# Battery Enclosures

MidNite Solar offers indoor gray steel powder coated battery enclosures in three sizes. All include locking doors. When you need an enclosure for your sealed AGM or Gel battery bank, consider MidNite Solar. All enclosures are steel except the outdoor MNBE-D3R and 8D2x2 which are aluminum.



## MNBE-D

34W x 15.25D x 41.14H  
8 GVX3050 (2 shelf)  
8 Golf Cart (2 shelf)  
8 Group 31 (2 shelf)  
12 Golf Cart (3 shelf)  
12 Group 31 (3 shelf)

Shown with 8 GVX3050. Will fit 8 sealed L16 batteries with 3" head room. Two shelves standard. Ships knocked down in two boxes. Ship Wt. 116 LB. - ETL Listed



## MNBE-A

29W x 14.5D x 28H  
2 8D  
Stack 2 cabinets vertical for 4 quantity 8 D's  
4 Group 31 end to end  
6 Group 32 side by side  
Ships knocked down  
Ship Wt. 71 LB.  
ETL Listed



## MNBE-C (3 shelf)

34W x 15.25D x 55H  
12 Golf Cart  
12 Group 31  
12 GVX3050 Concorde  
2 shelf for 8 L16's  
4 shelf for four 8D's  
Ships motor freight  
Ship Wt. 190 LB.  
ETL Listed

## MNBE-D3R (2 shelf) - Outdoor

Rain tight aluminum battery enclosure with locking door and two shelves. MNBE-D3R holds 8 GVX3050T or 8 golf cart or 8 group 31 batteries. Same dimensions as the MNBE-D.



## MNBE-8D2x2

Battery Enclosure with locking door and one shelf. Outdoor 3R rain proof design. Powder coated aluminum and stainless steel construction. Holds four 8D batteries. It has spaces for up to 4 MNDC panel mount breakers (1 to 100A) and a 250A battery disconnect breaker. Deluxe version comes with 250A breaker and four 4/0 interconnect cables.

MNBE - 8D2x2 Standard and Deluxe Models:  
28 1/2W x 26 1/4D x 36H  
Wt. - Standard 90 LB.  
Wt. - Deluxe 91 LB.

## MNBE-C8D (4 shelf)

Battery Enclosure with locking door and four shelves. Holds four 8D batteries. Gray powder coated steel. Same dimensions as the MNBE-C.

## MNBE-CL16 (2 shelf)

Battery Enclosure with locking door and two shelves. Holds eight sealed L-16 batteries. Gray powder coated steel. Same dimensions as the MNBE-C.

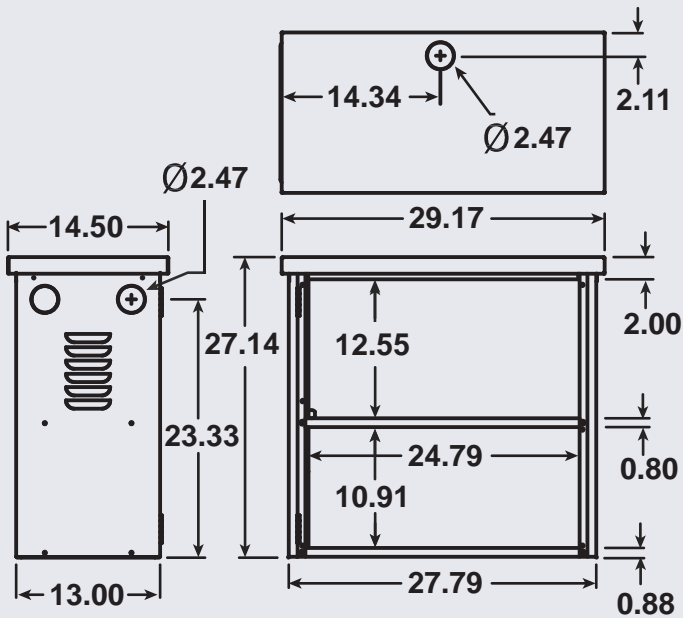
**MNBE-8D2x2 Deluxe** - Same as the regular but also includes 250A battery breaker and 4/0 interconnecting cables.



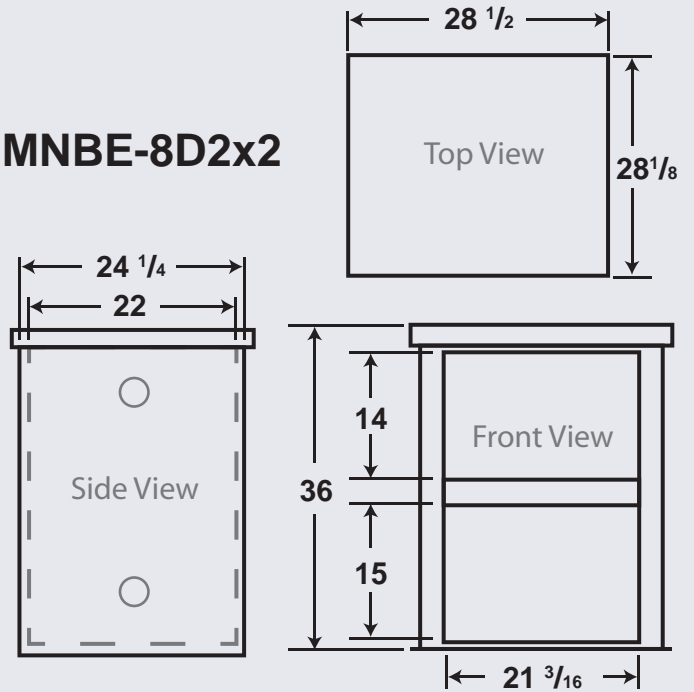
[www.midnitesolar.com](http://www.midnitesolar.com)  
17722 - 67th Ave NE, Arlington, WA 98223  
PH. 360-403-7207  
FAX 360-691-6862

# Battery Enclosures

**MNBE-A**

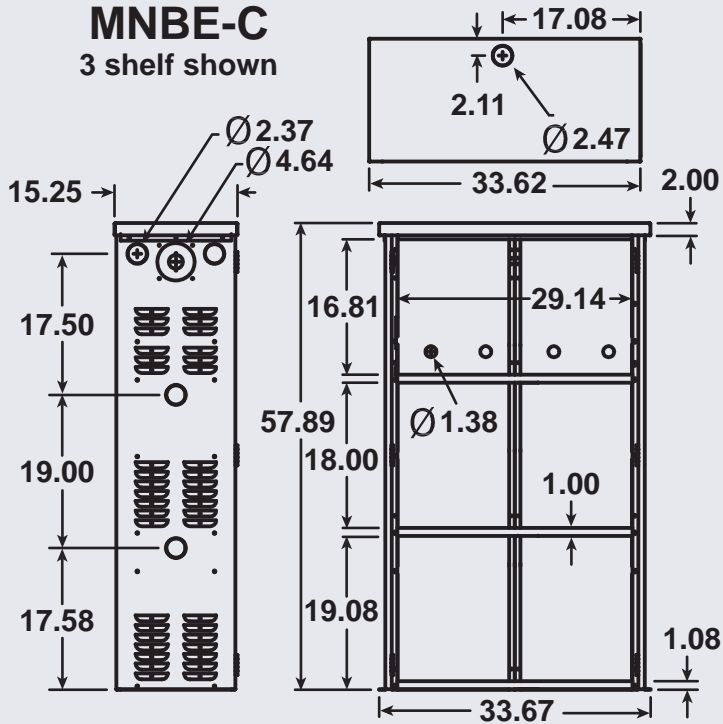


**MNBE-8D2x2**

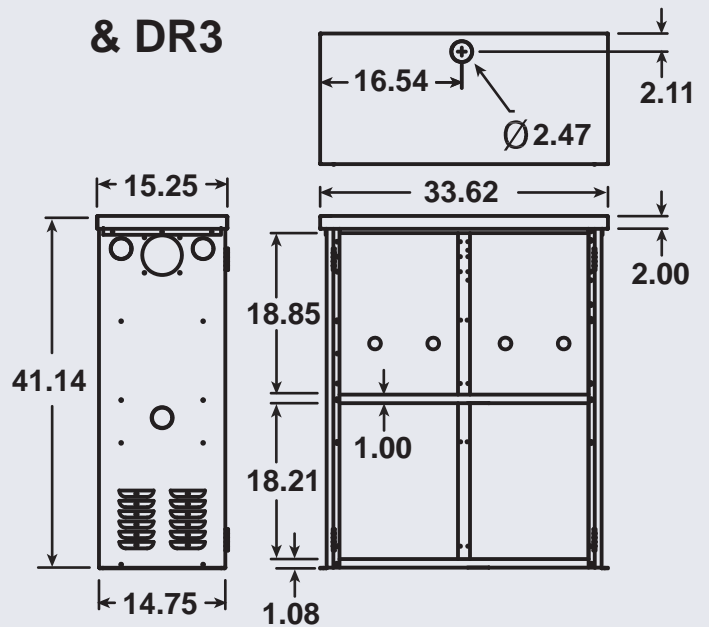


**MNBE-C**

3 shelf shown



**MNBE-D 2 shelf shown & DR3**



ETL Listed for US & Canada



17722—67th Ave NE, Unit C, Arlington WA 98223

Ph 425.374.9060 Fax 360.691.6862

<http://www.midnitesolar.com>