

# Xantrex TR-CONDUIT BOX

**Trace™ Series Inverter/Charger DC Conduit Box (TR-CONDUIT BOX)  
Installation Instructions - - - - - page 1**

**Instructions d'installation de la boîte de dérivation c.c.  
(TR-CONDUIT BOX) pour l'Onduleur/Chargeur Trace™ Series - - - - page 5**

**Instrucciones de instalación de la caja de derivación de CC  
(TR-CONDUIT BOX) del cargador/inversor Trace Series™ - - - - - página 9**

**Wechselrichter/Ladegerät der Trace Series™-DC-Abzweigdose  
(TR-CONDUIT BOX) Installationshinweise - - - - - seite 13**

**Scatola CC (TR-CONDUIT BOX) dell'Inverter/caricatore  
Trace Series™ Istruzioni per l'installazione - - - - - pagina 17**

---

**Trace Series Inverter/Charger DC Conduit Box  
(TR-CONDUIT BOX) Installation Instructions**

---

**975-0368-01-01  
Revision B**

## Safety Instructions

Misusing or incorrectly connecting the Trace Series Inverter/Charger TR-CONDUIT BOX may damage the equipment or create hazardous conditions for users. Read the following safety instructions and pay special attention to all Caution and Warning statements in this document and your Trace Series Inverter/Charger Installation Manual (Part #: 975-0367-01-01).

1. All electrical work must be done in accordance with local, national, and/or international electrical codes.
2. All electrical work must be done by a qualified installer.
3. Before installing or using this device, read all instructions and cautionary markings located in (or on) the manual, the inverter, the batteries, and any other associated equipment.

**WARNING: Shock hazard**

The Trace Series Inverter/Charger accepts power from more than one source (both AC and DC). Always verify ALL power is off before opening the chassis of the Trace Series.

**To install the TR-CONDUIT BOX:**

1. Carefully unpack the TR-CONDUIT BOX. Remove all packing materials.
2. Verify the Trace Series Inverter/Charger (item A in Figure 1) is completely de-energized.
3. Remove the cover screw (item B in Figure 1) from the Trace Series.
4. Align the TR-CONDUIT BOX with the left side of the Trace Series chassis. Secure it to the same surface (wall) as the Trace Series using the proper mounting hardware (item H in Figure 1).
5. Remove the appropriate conduit knockout(s) (items E/F in Figure 1). The knockouts accommodate  $\frac{3}{4}$  in. (19 mm), 1 in. (25.4 mm) and 2 in. (50.8 mm) conduit fittings.
6. Connect the incoming conduit to the TR-CONDUIT BOX using a conduit fitting.
7. Route the DC wires to the Trace Series. Connect them according to the wiring diagrams and instructions in the Trace Series Inverter/Charger Installation Manual.

**Important:** A right angled DC crimp lug may be required in larger DC cabling installation. See Trace Series Inverter/Charger Installation Manual for more details.

8. Connect a DC ground wire to the Trace Series chassis ground lug.  
If installed, remote and BTS cables can be routed and attached to the side of the DC wiring box using the included cable tie retention slots (item G in Figure 1, 3 places).

**Important:**

- Torque battery and ground connections on Trace Series terminals to 10-15 ft-lb.
  - Do not interchange the screws from the inverter (item C in Figure 1) with the screws provided with the TR-CONDUIT BOX (item B in Figure 1); they are different sizes.
9. Attach the conduit box cover (item D in Figure 1) using the hardware provided (item B in Figure 1). Secure the cover to the top of the Trace Series using the screw removed in Step 3 (item C in Figure 1).
  10. Apply power to the Trace Series and test for proper operation as described in your Trace Series Inverter/Charger Installation Manual.

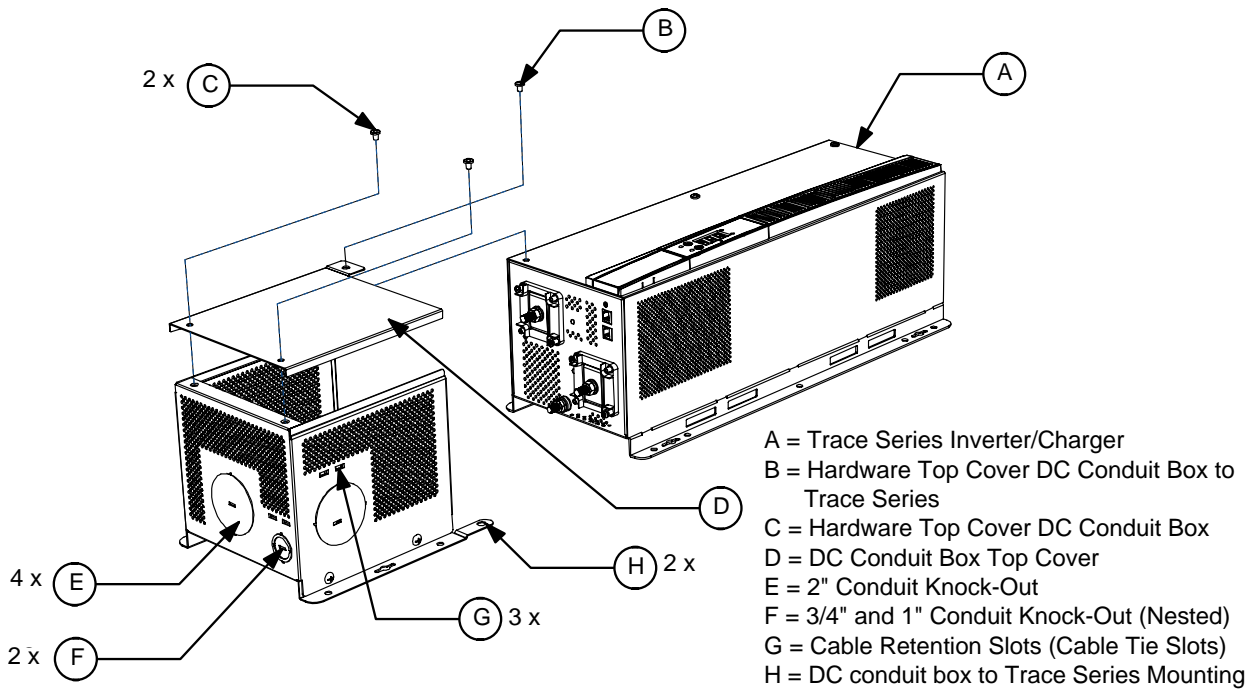


Figure 1

**Notice of Copyright** Trace Series Inverter/Charger TR-CONDUIT BOX Installation Instructions © May 2008 Xantrex International. All rights reserved.

**Exclusion for Documentation** UNLESS SPECIFICALLY AGREED TO IN WRITING, XANTREX TECHNOLOGY INC. ("XANTREX")

- (A) MAKES NO WARRANTY AS TO THE ACCURACY, SUFFICIENCY OR SUITABILITY OF ANY TECHNICAL OR OTHER INFORMATION PROVIDED IN ITS MANUALS OR OTHER DOCUMENTATION.
- (B) ASSUMES NO RESPONSIBILITY OR LIABILITY FOR LOSSES, DAMAGES, COSTS OR EXPENSES, WHETHER SPECIAL, DIRECT, INDIRECT, CONSEQUENTIAL OR INCIDENTAL, WHICH MIGHT ARISE OUT OF THE USE OF SUCH INFORMATION. THE USE OF ANY SUCH INFORMATION WILL BE ENTIRELY AT THE USER'S RISK; AND
- (C) REMINDS YOU THAT IF THIS MANUAL IS IN ANY LANGUAGE OTHER THAN ENGLISH, ALTHOUGH STEPS HAVE BEEN TAKEN TO MAINTAIN THE ACCURACY OF THE TRANSLATION, THE ACCURACY CANNOT BE GUARANTEED. APPROVED XANTREX CONTENT IS CONTAINED WITH THE ENGLISH LANGUAGE VERSION WHICH IS POSTED AT WWW.XANTREX.COM.

**Date and Revision** May 2008 Revision B

**Part Number** 975-0368-01-01

**Contact Information** Email: customerservice@xantrex.com Web: www.xantrex.com

## Warranty and Return

### Warranty

**What does this warranty cover and how long does it last?** This Limited Warranty is provided by Xantrex Technology Inc. ("Xantrex") and covers defects in workmanship and materials in your TRACE SERIES INVERTER/CHARGER TR-CONDUIT BOX. This Warranty Period lasts for two (2) years from the date of purchase at the point of sale to you, the original end user customer, unless otherwise agreed in writing. You will be required to demonstrate proof of purchase to make warranty claims.

This Limited Warranty is transferable to subsequent owners but only for the unexpired portion of the Warranty Period. Subsequent owners also require original proof of purchase as described in "What proof of purchase is required?"

**What will Xantrex do?** During the Warranty Period Xantrex will, at its option, repair the product (if economically feasible) or replace the defective product free of charge, provided that you notify Xantrex of the product defect within the Warranty Period, and provided that Xantrex through inspection establishes the existence of such a defect and that it is covered by this Limited Warranty.

Xantrex will, at its option, use new and/or reconditioned parts in performing warranty repair and building replacement products. Xantrex reserves the right to use parts or products of original or improved design in the repair or replacement. If Xantrex repairs or replaces a product, its warranty continues for the remaining portion of the original Warranty Period or 90 days from the date of the return shipment to the customer, whichever is greater. All replaced products and all parts removed from repaired products become the property of Xantrex.

Xantrex covers both parts and labor necessary to repair the product, and return shipment to the customer via a Xantrex-selected non-expedited surface freight within the contiguous United States and Canada. Alaska, Hawaii and outside of the United States and Canada are excluded. Contact Xantrex Customer Service for details on freight policy for return shipments from excluded areas.

**How do you get service?** If your product requires troubleshooting or warranty service, contact your merchant. If you are unable to contact your merchant, or the merchant is unable to provide service, contact Xantrex directly at:

Telephone: 1 408 987 6030 (direct)

Website: www.xantrex.com

Direct returns may be performed according to the Xantrex Return Material Authorization Policy described in your product manual. For some products, Xantrex maintains a network of regional Authorized Service Centers. Call Xantrex or check our website to see if your product can be repaired at one of these facilities.

**What proof of purchase is required?** In any warranty claim, dated proof of purchase must accompany the product and the product must not have been disassembled or modified without prior written authorization by Xantrex.

Proof of purchase may be in any one of the following forms:

- The dated purchase receipt from the original purchase of the product at point of sale to the end user; or
- The dated dealer invoice or purchase receipt showing original equipment manufacturer (OEM) status; or
- The dated invoice or purchase receipt showing the product exchanged under warranty.

**What does this warranty not cover?** Claims are limited to repair and replacement, or if in Xantrex's discretion that is not possible, reimbursement up to the purchase price paid for the product. Xantrex will be liable to you only for direct damages suffered by you and only up to a maximum amount equal to the purchase price of the product.

This Limited Warranty does not warrant uninterrupted or error-free operation of the product or cover normal wear and tear of the product or costs related to the removal, installation, or troubleshooting of the customer's electrical systems. This warranty does not apply to and Xantrex will not be responsible for any defect in or damage to:

- a) the product if it has been misused, neglected, improperly installed, physically damaged or altered, either internally or externally, or damaged from improper use or use in an unsuitable environment;
- b) the product if it has been subjected to fire, water, generalized corrosion, biological infestations, or input voltage that creates operating conditions beyond the maximum or minimum limits listed in the Xantrex product specifications including high input voltage from generators and lightning strikes;
- c) the product if repairs have been done to it other than by Xantrex or its authorized service centers (hereafter "ASCs");
- d) the product if it is used as a component part of a product expressly warranted by another manufacturer;
- e) the product if its original identification (trade-mark, serial number) markings have been defaced, altered, or removed;
- f) the product if it is located outside of the country where it was purchased; and
- g) any consequential losses that are attributable to the product losing power whether by product malfunction, installation error or misuse.

### Disclaimer

#### Product

THIS LIMITED WARRANTY IS THE SOLE AND EXCLUSIVE WARRANTY PROVIDED BY XANTREX IN CONNECTION WITH YOUR XANTREX PRODUCT AND IS, WHERE PERMITTED BY LAW, IN LIEU OF ALL OTHER WARRANTIES, CONDITIONS, GUARANTEES, REPRESENTATIONS, OBLIGATIONS AND LIABILITIES, EXPRESS OR IMPLIED, STATUTORY OR OTHERWISE IN CONNECTION WITH THE PRODUCT, HOWEVER ARISING (WHETHER BY CONTRACT, TORT, NEGLIGENCE, PRINCIPLES OF MANUFACTURER'S LIABILITY, OPERATION OF LAW, CONDUCT, STATEMENT OR OTHERWISE), INCLUDING WITHOUT RESTRICTION ANY IMPLIED WARRANTY OR CONDITION OF QUALITY, MERCHANTABILITY OR FITNESS FOR A PARTICULAR PURPOSE. ANY IMPLIED WARRANTY OF MERCHANTABILITY OR FITNESS FOR A PARTICULAR PURPOSE TO THE EXTENT REQUIRED UNDER APPLICABLE LAW TO APPLY TO THE PRODUCT SHALL BE LIMITED IN DURATION TO THE PERIOD STIPULATED UNDER THIS LIMITED WARRANTY.

IN NO EVENT WILL XANTREX BE LIABLE FOR: (A) ANY SPECIAL, INDIRECT, INCIDENTAL OR CONSEQUENTIAL DAMAGES, INCLUDING LOST PROFITS, LOST REVENUES, FAILURE TO REALIZE EXPECTED SAVINGS, OR OTHER COMMERCIAL OR ECONOMIC LOSSES OF ANY KIND, EVEN IF XANTREX HAS BEEN ADVISED, OR HAD REASON TO KNOW, OF THE POSSIBILITY OF SUCH DAMAGE, (B) ANY LIABILITY ARISING IN TORT, WHETHER OR NOT ARISING OUT OF XANTREX'S NEGLIGENCE, AND ALL LOSSES OR DAMAGES TO ANY PROPERTY

## Trace Series TR-CONDUIT BOX Installation Instructions

---

OR FOR ANY PERSONAL INJURY OR ECONOMIC LOSS OR DAMAGE CAUSED BY THE CONNECTION OF A PRODUCT TO ANY OTHER DEVICE OR SYSTEM, AND (C) ANY DAMAGE OR INJURY ARISING FROM OR AS A RESULT OF MISUSE OR ABUSE, OR THE INCORRECT INSTALLATION, INTEGRATION OR OPERATION OF THE PRODUCT.

IF YOU ARE A CONSUMER (RATHER THAN A PURCHASER OF THE PRODUCT IN THE COURSE OF A BUSINESS) AND PURCHASED THE PRODUCT IN A MEMBER STATE OF THE EUROPEAN UNION, THIS LIMITED WARRANTY SHALL BE SUBJECT TO YOUR STATUTORY RIGHTS AS A CONSUMER UNDER THE EUROPEAN UNION PRODUCT WARRANTY DIRECTIVE 1999/44/EC AND AS SUCH DIRECTIVE HAS BEEN IMPLEMENTED IN THE EUROPEAN UNION MEMBER STATE WHERE YOU PURCHASED THE PRODUCT. FURTHER, WHILE THIS LIMITED WARRANTY GIVES YOU SPECIFIC LEGAL RIGHTS, YOU MAY HAVE OTHER RIGHTS WHICH MAY VARY FROM EU MEMBER STATE TO EU MEMBER STATE OR, IF YOU DID NOT PURCHASE THE PRODUCT IN AN EU MEMBER STATE, IN THE COUNTRY YOUR PURCHASED THE PRODUCT WHICH MAY VARY FROM COUNTRY TO COUNTRY AND JURISDICTION TO JURISDICTION.

### Return Material Authorization Policy

Before returning a product directly to Xantrex you must obtain a Return Material Authorization (RMA) number and the correct factory "Ship To" address. Products must also be shipped prepaid. Product shipments will be refused and returned at your expense if they are unauthorized, returned without an RMA number clearly marked on the outside of the shipping box, if they are shipped collect, or if they are shipped to the wrong location.

When you contact Xantrex to obtain service, please have your instruction manual ready for reference and be prepared to supply:

- The serial number of your product
- Information about the installation and use of the unit
- Information about the failure and/or reason for the return
- A copy of your dated proof of purchase

### Return Procedure

Package the unit safely, preferably using the original box and packing materials. Please ensure that your product is shipped fully insured in the original packaging or equivalent. This warranty will not apply where the product is damaged due to improper packaging.

Include the following:

- The RMA number supplied by Xantrex Technology Inc. clearly marked on the outside of the box.
- A return address where the unit can be shipped. Post office boxes are not acceptable.
- A contact telephone number where you can be reached during work hours.
- A brief description of the problem.

Ship the unit prepaid to the address provided by your Xantrex customer service representative.

**If you are returning a product from outside of the USA or Canada** In addition to the above, you MUST include return freight funds and are fully responsible for all documents, duties, tariffs, and deposits.

**If you are returning a product to a Xantrex Authorized Service Center (ASC)** A Xantrex return material authorization (RMA) number is not required. However, you must contact the ASC prior to returning the product or presenting the unit to verify any return procedures that may apply to that particular facility and that the ASC repairs this particular Xantrex product.

### Out of Warranty Service

If the warranty period for your product has expired, if the unit was damaged by misuse or incorrect installation, if other conditions of the warranty have not been met, or if no dated proof of purchase is available, your unit may be serviced or replaced for a flat fee. To return your product for out of warranty service, contact Xantrex Customer Service for a Return Material Authorization (RMA) number and follow the other steps outlined in "Return Procedure".

Payment options such as credit card or money order will be explained by the Customer Service Representative. In cases where the minimum flat fee does not apply, as with incomplete units or units with excessive damage, an additional fee will be charged. If applicable, you will be contacted by Customer Service once your unit has been received.

# Instructions d'installation de la boîte de dérivation c.c. (TR-CONDUIT BOX) pour l'Onduleur/Chargeur Trace™ Series

975-0368-01-01  
Révision B

## Consignes de sécurité

Une mauvaise utilisation ou un branchement incorrect de la TR-CONDUIT BOX pour l'Onduleur/Chargeur Trace™ Series peut endommager le matériel ou créer des conditions dangereuses pour les utilisateurs. Lisez les consignes de sécurité suivantes et faites très attention à toutes les sections de Mise en garde et d'Avertissement de votre Guide d'installation de l'Onduleur/Chargeur Trace™ Series (Réf. : 975-0367-01-01).

1. Tous les travaux liés à l'électricité doivent être effectués en conformité avec les normes électriques au niveau local, national et international.
2. Tous les travaux liés à l'électricité doivent être effectués par un personnel qualifié.
3. Avant d'installer et d'utiliser l'appareil, veuillez lire attentivement toutes les instructions ainsi que les étiquettes d'avertissement dans (ou sur) le guide, l'onduleur, les batteries, et tout équipement connecté.



### **AVERTISSEMENT : Danger de décharge électrique**

L'Onduleur/Chargeur Trace™ Series peut être alimenté par plus d'une source (c.a. et c.c.). Assurez-vous que l'appareil est HORS TENSION avant d'ouvrir le châssis de l'onduleur Trace™ Series.

#### **Pour installer la TR-CONDUIT BOX :**

1. Déballez soigneusement la TR-CONDUIT BOX : Retirez tout le matériel d'emballage.
2. Vérifiez que l'Onduleur/Chargeur Trace™ Series (élément A sur la Figure 1) est complètement déchargé.
3. Retirez la vis du couvercle (élément B sur la Figure 1) de l'onduleur Trace™ Series.
4. Alignez la TR-CONDUIT BOX du côté gauche du châssis Trace™ Series. Fixez-la à la même surface (mur) que l'onduleur Trace™ Series en utilisant les pièces de montage appropriées (élément H sur la Figure 1).
5. Retirez le(s) trou(s) d'entrée défonçables (éléments E/F sur la Figure 1).  
Les entrées défonçables peuvent accommoder des raccords de conduit ¾ po (19 mm), 1 po (25,4 mm) et 2 po (50,8 mm).
6. Connectez le conduit entrant à la TR-CONDUIT BOX à l'aide d'un raccord de conduit.
7. Acheminez les fils c.c. jusqu'à l'onduleur Trace™ Series. Connectez-les selon le diagramme de câblage et les instructions du guide d'installation de l'Onduleur/Chargeur Trace™ Series (Réf. : 975-0367-01-01).

**Important :** Une patte de sertissage c.c. à angle droit peut requérir l'installation de plus gros câbles c.c. Consultez le guide d'installation de l'Onduleur/Chargeur Trace™ Series (Réf. : 975-0367-01-01) pour plus de détails.

8. Acheminez un fil de terre c.c. jusqu'à la cosse de terre de l'onduleur Trace™ Series. Si vous installez des câbles de télécommande et de sonde BTS, vous pouvez les acheminer et les attacher sur la partie latérale de la boîte de raccordement c.c. via les orifices de rétention de la ligature de câble c.c. (élément G sur la Figure 1, 3 endroits).

**Important :**

- Serrez les connexions de la batterie et de terre aux bornes de la Trace Series à un couple de 10-15 pi-lb.
- Ne changez pas les vis de l'onduleur (élément C sur la Figure 1) avec celles fournies avec la TR-CONDUIT BOX (élément B sur la Figure 1) ; elles sont de taille différente.

9. Attachez le couvercle de la boîte de dérivation (élément D sur la Figure 1) à l'aide des pièces fournies (élément B sur la Figure 1). Attachez le couvercle au-dessus de l'onduleur Trace™ Series en utilisant la vis retirée à l'étape 3 (élément C sur la Figure 1).
10. Mettez l'onduleur Trace™ Series sous tension et testez son bon fonctionnement tel que décrit dans votre guide d'installation de l'Onduleur/Chargeur Trace™ Series (Réf. : 975-0367-01-01).

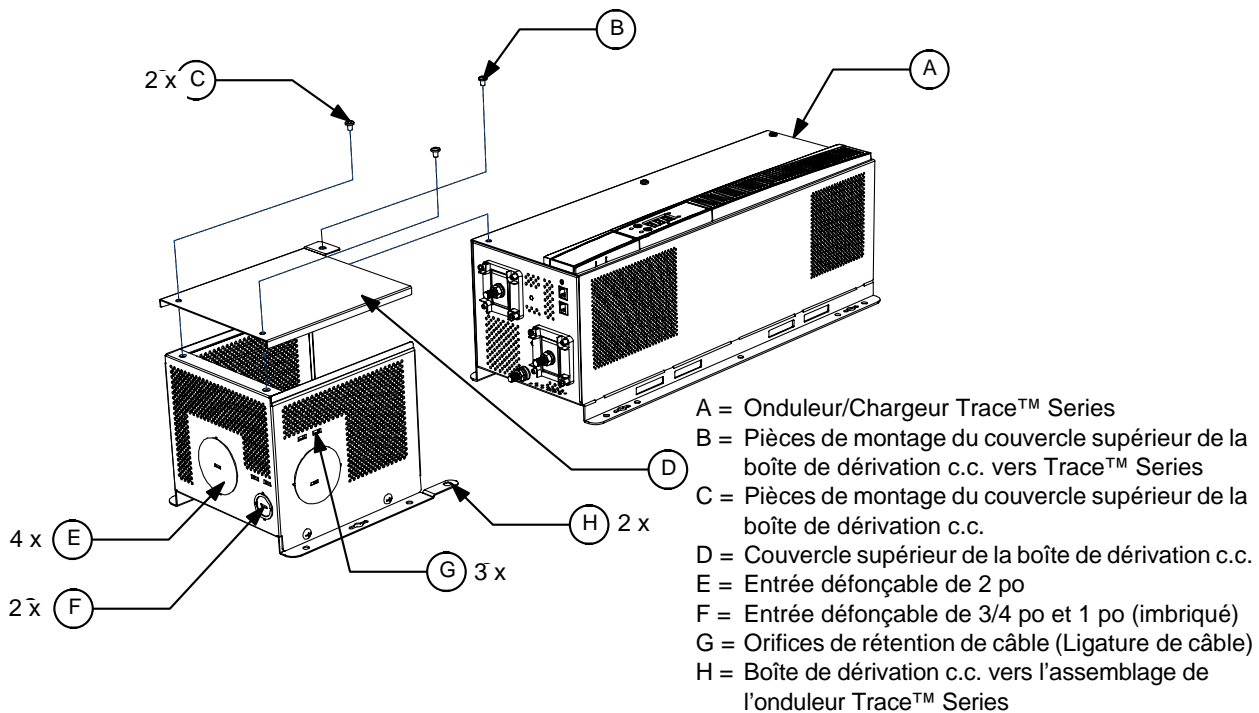


Figure 1

**Avis de droit d'auteur** Instructions d'installation de la TR-CONDUIT BOX pour l'Onduleur/Chargeur Trace™ Series © Mai 2008 Xantrex International. Tous droits réservés.

**Exclusion pour la documentation** SAUF ACCORD ÉCRIT EXPLICITE, XANTREX TECHNOLOGY INC. (« XANTREX »)

- NE GARANTIT PAS QUE LES INFORMATIONS TECHNIQUES OU AUTRES FOURNIES DANS SES GUIDES OU AUTRE DOCUMENTATION SONT EXACTES, COMPLÈTES OU RECEVABLES ;
- NE SAURAIT ÊTRE TENUE RESPONSABLE DES PERTES, DOMMAGES, DES COÛTS OU DES DÉPENSES DE QUELQUE NATURE QUE CE SOIT (SPÉCIAUX, DIRECTS, INDIRECTS, CONSÉCUTIFS OU ACCIDENTELS), QUI POURRAIENT DÉCOULER DE L'UTILISATION DE CES INFORMATIONS ; L'UTILISATION DE TOUTE INFORMATION SE FAIT AUX RISQUES ET PÉRILS DE L'UTILISATEUR.
- VOUS RAPPELLE QUE LORSQUE CE GUIDE EST DANS UNE LANGUE AUTRE QUE L'ANGLAIS, SON EXACTITUDE NE PEUT ÊTRE GARANTIE, BIEN QUE TOUTES LES MESURES NÉCESSAIRES AIENT ÉTÉ PRISES POUR ASSURER LA FIDÉLITÉ DE LA TRADUCTION. LE CONTENU APPROUVÉ PAR XANTREX EN VERSION ANGLAISE EST DISPONIBLE SUR LE SITE WWW.XANTREX.COM.

**Date et révision** Mai 2008 Révision B **Numéro de référence** 975-0368-01-01

**Coordonnées** Courriel : customerservice@xantrex.com Web : www.xantrex.com

## Informations concernant la garantie et le retour

### Garantie

**Que couvre cette garantie et combien de temps dure-t-elle ?** Cette garantie limitée vous est fournie par Xantrex Technology, Inc. (« Xantrex ») et couvre les défauts de fabrication et de matériaux de votre TR-CONDUIT BOX pour l'Onduleur/Chargeur Trace™ Series. Cette période de garantie dure deux (2) ans à compter de la date à laquelle vous, utilisateur final initial, avez acheté le produit au point de vente, sauf accord écrit contraire explicite. Pour toute réclamation sous couvert de la garantie, vous devez fournir une preuve d'achat.

Cette garantie limitée est transférable aux propriétaires ultérieurs, mais uniquement pour la période de la garantie d'origine restant à courir. Les propriétaires ultérieurs auront également besoin de la preuve d'achat originale, telle que décrite sous « Quelle preuve d'achat est requise ? ».

**Que fera Xantrex ?** Durant la période de garantie, Xantrex décidera, à sa discrétion, de réparer (si cela est faisable économiquement) ou de remplacer le produit défectueux, et ce gratuitement, si vous avisez Xantrex de la défaillance du produit dans les délais stipulés par la garantie ; s'il y a confirmation de la part de Xantrex du défaut constaté lors d'un examen ; et si le défaut est couvert par la présente garantie limitée.

Xantrex pourra, à son gré, utiliser des pièces neuves ou remises à neuf dans l'exécution des travaux de garantie ou dans la fabrication de produits de remplacement. Xantrex se réserve le droit d'avoir recours à des pièces ou produits de conception d'origine ou améliorée lors des tâches de réparation ou de remplacement. Tout produit réparé ou remplacé par Xantrex sera garanti pour la période de la garantie d'origine restant à courir, ou pendant 90 jours à compter de la date du retour chez le client, selon la période la plus longue. Tous les produits remplacés et toutes les pièces retirées des produits réparés deviennent la propriété de Xantrex.

Xantrex couvre à la fois les pièces et la main-d'œuvre nécessaires pour réparer le produit, ainsi que le retour de ce dernier chez le client par transport non accéléré de surface sélectionné par Xantrex dans les limites des États-Unis et du Canada. Alaska, Hawaii et les régions hors des États-Unis et du Canada sont exclus. Veuillez contacter le service à la clientèle de Xantrex pour obtenir plus de détails sur la politique de transport pour les expéditions en retour depuis les régions exclues.

**Comment obtient-on le service ?** Veuillez contacter votre revendeur si votre produit requiert un dépannage ou un entretien sous garantie. Si vous êtes incapable de contacter votre revendeur ou si celui-ci ne peut offrir le service, contactez directement Xantrex :

Téléphone : 1 408 987 6030 (direct)

Site Web : [www.xantrex.com](http://www.xantrex.com)

Les retours directs sont permis conformément à la politique d'autorisation de retour de Xantrex décrite dans le guide de votre produit. Xantrex maintient un réseau de centres de services régionaux autorisés pour certains produits. Appelez Xantrex ou consultez notre site Web pour savoir si vous pouvez faire réparer votre produit dans l'un de ces centres.

**Quelle preuve d'achat est requise ?** Pour toute réclamation sous couvert de la garantie, il convient de fournir une preuve d'achat datée et de ne pas avoir démonté ni modifié le produit sans la permission préalable par écrit de Xantrex.

Les diverses formes de preuve d'achat sont les suivantes :

- Ticket de caisse daté, obtenu lors de l'achat initial du produit au point de vente par l'utilisateur final
- Facture datée du revendeur ou ticket de caisse indiquant l'état du constructeur OEM
- Facture datée ou ticket de caisse indiquant le produit échangé en vertu de la garantie

**Qu'est-ce que cette garantie ne couvre pas ?** Les demandes sont limitées à la réparation et au remplacement, ou si Xantrex décide à sa discrétion que cela n'est pas possible, au remboursement du prix d'achat du produit. Xantrex ne sera responsable que des dommages directs à votre encontre et uniquement jusqu'à un maximum égal au prix d'achat du produit.

Cette garantie limitée ne garantit pas un fonctionnement sans interruption ou sans erreur et ne couvre pas les cas d'usure normale du produit ni les coûts relevant du déplacement, de l'installation ou du dépannage du système électrique du client. Cette garantie ne s'appliquera pas et Xantrex ne sera nullement tenue responsable dans les cas de défaillance ou de dommage suivants :

- a) Le produit a été employé à mauvais escient, négligé, mal installé, endommagé physiquement ou modifié, de façon interne ou externe, ou endommagé par suite d'avoir été mal employé ou d'avoir été utilisé dans un endroit pour lequel il n'est pas fait.
- b) Le produit a été l'objet d'un incendie, de dégâts d'eau, d'une corrosion généralisée, d'infestations biologiques ou d'une tension d'entrée à l'origine de conditions de fonctionnement dépassant les limites maximale ou minimale répertoriées dans la liste des caractéristiques techniques du produit Xantrex, y compris la tension d'entrée élevée provoquée par des générateurs et la foudre.
- c) Le produit a subi des réparations effectuées par quelqu'un d'autre que Xantrex ou ses centres de services autorisés (ci-dessous « ASC »).
- d) Le produit sert de composant à un autre produit, qui est expressément garanti par un autre fabricant ;
- e) Les marquages d'identification d'origine du produit (marque déposée, numéro de série) ont été effacés, altérés ou supprimés.
- f) Le produit est situé hors du pays où il a été acheté, et
- g) Toute perte consécutive attribuable à la perte de courant du produit, qu'il s'agisse d'un mauvais fonctionnement, une erreur d'installation ou une utilisation incorrecte.

### Décharge de responsabilité

#### Produit

CETTE GARANTIE LIMITÉE EST LA SEULE ET UNIQUE GARANTIE RELATIVE À VOTRE PRODUIT PRÉVUE PAR XANTREX QUI EXCLUT, DANS LA MESURE AUTORISÉE PAR LA LOI, TOUTE AUTRE GARANTIE, CONDITION, CAUTION, REPRÉSENTATION, OBLIGATION ET RESPONSABILITÉ, EXPRESSE OU IMPLICITE, RÉGLEMENTAIRE OU AUTRE RELATIVE AU PRODUIT, POUVANT TOUTEFOIS ÉMANER (D'UN CONTRAT, D'UN ACTE DÉLICTEUX, D'UNE NÉGLIGENCE, DES PRINCIPES DE RESPONSABILITÉ DU FABRICANT, D'UNE LOI, D'UNE CONDUITE, D'UNE DÉCLARATION OU AUTRE), Y COMPRIS MAIS DE FAÇON NON RESTRICTIVE TOUTE GARANTIE OU CONDITION IMPLICITE CONCERNANT SA QUALITÉ, SON CARACTÈRE PROPRE À LA COMMERCIALISATION OU SON ADÉQUATION À UN USAGE PARTICULIER. TOUTE GARANTIE IMPLICITE RELATIVE À LA QUALITÉ MARCHANDE OU À L'ADÉQUATION À UN USAGE PARTICULIER DU PRODUIT DANS LA MESURE REQUISE PAR LA LOI EN VIGUEUR SERA LIMITÉE EN DURÉE À LA PÉRIODE STIPULÉE PAR LA PRÉSENTE GARANTIE LIMITÉE.



EN AUCUN CAS, XANTREX NE POURRA ÊTRE TENU RESPONSABLE DE : (A) TOUT DOMMAGE SPÉCIAL, INDIRECT OU CONSÉCUTIF, Y COMPRIS LES PERTES DE PROFITS ET DE REVENUS, L'ABSENCE D'ÉCONOMIES ATTENDUES, OU TOUTE AUTRE PERTE COMMERCIALE OU ÉCONOMIQUE DE QUELQUE NATURE QUE CE SOIT, MÊME DANS L'ÉVENTUALITÉ OÙ XANTREX AURAIT ÉTÉ PRÉVENU DE LA POSSIBILITÉ DE TELS DOMMAGES ; (B) TOUTE RESPONSABILITÉ POUVANT ÉMANER D'UN CONTRAT OU D'UN ACTE DÉLICTEUX, QU'ELLE PROVIENNE OU NON D'UNE NÉGLIGENCE DE XANTREX, ET TOUT AUTRE DOMMAGE OU PERTE LIÉE À UNE PROPRIÉTÉ QUELCONQUE, OU POUR TOUTE BLESSURE CORPORELLE OU ÉCONOMIQUE, CAUSÉE PAR LE BRANCHEMENT D'UN PRODUIT À UN AUTRE APPAREIL OU SYSTÈME, ET (C), TOUT DOMMAGE OU TOUTE BLESSURE RÉSULTANT D'UNE UTILISATION INCORRECTE OU ABUSIVE, OU D'UN DÉFAUT D'INSTALLATION, D'INTÉGRATION OU DE FONCTIONNEMENT DU PRODUIT.

SI VOUS ÊTES UN PARTICULIER (PLUTÔT QU'UN ACHETEUR DANS UN CADRE PROFESSIONNEL) ET AVEZ ACHETÉ LE PRODUIT DANS UN ÉTAT MEMBRE DE L'UNION EUROPÉENNE (CI-APRÈS " UE "), CETTE GARANTIE LIMITÉE EST SUJETTE À VOS DROITS STATUTAIRES EN TANT QUE CONSOMMATEUR EN VERTU DE LA DIRECTIVE 1999/44/EC DE L'UNION EUROPÉENNE CONCERNANT LES GARANTIES DE PRODUITS, DANS LA MESURE OÙ CETTE DIRECTIVE EST EN VIGUEUR DANS LE PAYS OÙ VOUS AVEZ ACHETÉ LE PRODUIT. PAR AILLEURS, BIEN QUE CETTE GARANTIE LIMITÉE VOUS ACCORDE DES DROITS SPÉCIFIQUES, IL SE PEUT QUE VOUS DISPOSIEZ D'AUTRES DROITS QUI VARIENT D'UN ÉTAT MEMBRE DE L'UE À UN AUTRE, OU SI VOUS N'AVEZ PAS ACHETÉ LE PRODUIT DANS UN ÉTAT MEMBRE DE L'UE, DANS LE PAYS CONCERNÉ, LESQUELS DROITS VARIENT DE PAYS À PAYS ET DE JURIDICTION À JURIDICTION.

### Politique d'autorisation de retour

Avant de retourner le produit directement à Xantrex, vous devez obtenir un numéro d'autorisation de retour (RMA) et l'adresse de l'usine où expédier le produit. Le produit doit être expédié, port payé. Tout produit sera refusé et renvoyé à vos frais s'il n'a pas été autorisé, si son numéro RMA n'apparaît pas clairement sur l'emballage, s'il a été expédié en port dû ou s'il a été envoyé à la mauvaise adresse.

Lorsque vous contactez Xantrex pour obtenir un service, veillez à avoir votre guide d'utilisation à portée de main et soyez prêt à donner :

- Le numéro de série de votre produit
- Des informations sur l'installation et l'utilisation de l'appareil
- Des informations sur la panne ou la raison du retour
- Une copie de la preuve d'achat datée

Enregistrez ces informations.

### Procédure de retour du produit

Emballer l'unité avec soin, en utilisant de préférence la boîte et les matériaux d'emballage d'origine. Vérifiez que votre produit est renvoyé entièrement assuré, de préférence dans son emballage d'origine ou dans un colis équivalent. La présente garantie ne pourra s'appliquer si les dégâts causés au produit sont dus à un emballage inapproprié.

Joignez ce qui suit :

- Le numéro RMA fourni par Xantrex Technology Inc., clairement visible à l'extérieur du colis.
- Une adresse de retour où l'unité peut être expédiée. Les boîtes postales ne peuvent être acceptées.
- Un numéro de téléphone où l'on peut vous joindre durant la journée.
- Un court exposé du problème.

Expédiez l'appareil, port payé, à l'adresse fournie par le représentant du service à la clientèle de Xantrex.

**Si vous retournez un produit d'un pays autre que les États-Unis ou le Canada** Outre ce qui précède, vous DEVEZ joindre la somme du port de retour et vous êtes entièrement responsable de tous les documents, droits de douane, tarifs d'importation et acomptes.

**Si vous retournez un produit à un centre de services (ASC) Xantrex** Aucun numéro d'autorisation de retour (RMA) Xantrex n'est requis. Vous devez toutefois contacter le centre de services avant de retourner le produit ou de présenter l'unité pour vérifier les procédures de retour applicables et déterminer si ASC répare ce produit Xantrex particulier.

### Service hors de la garantie

Si la période de garantie de votre produit est expirée et si l'unité a été endommagée à la suite d'une mauvaise utilisation ou d'une utilisation à mauvais escient, ou si les conditions de la garantie n'ont pas été remplies, ou encore si aucune preuve d'achat datée n'est disponible, votre appareil peut être réparé ou remplacé pour des frais minimums.

Pour retourner votre produit pour service hors de la garantie, demandez au service à la clientèle de Xantrex un numéro d'autorisation de retour (RMA), et suivez les étapes définies dans la section Procédure de retour du produit.

Les modalités de paiement, telles que carte de crédit ou mandat, seront expliquées par le représentant du service à la clientèle. Au cas où les frais minimums ne s'appliqueraient pas, comme par exemple si les unités sont incomplètes ou excessivement endommagées, des frais supplémentaires seront applicables. S'il y a lieu, vous serez contacté par le service à la clientèle après réception de votre appareil.

# Instrucciones de instalación de la caja de derivación de CC (TR-CONDUIT BOX) del cargador/inversor Trace Series™

975-0368-01-01  
Revisión B

## Instrucciones de seguridad

Si el TR-CONDUIT BOX del cargador/inversor Trace Series™ no se utiliza o no se conecta correctamente se puede dañar el equipo o poner en peligro al usuario. Lea las siguientes instrucciones de seguridad y preste especial atención a las advertencias y precauciones indicadas en este documento y el Manual de instalación del cargador/inversor Trace Series™ (Nº. de ref.: 975-0367-01-01).

1. Toda la instalación eléctrica se debe realizar según las normas sobre electricidad internacionales, nacionales y/o locales.
2. Toda la instalación eléctrica la debe realizar un instalador cualificado.
3. Antes de instalar o utilizar este dispositivo, lea todas las instrucciones y marcas de precaución que aparecen en el manual, el inversor, las baterías y cualquier otro equipo asociado.



### **ADVERTENCIA: Peligro de descarga eléctrica**

El inversor/cargador Trace Series™ acepta potencia de más de una fuente (CA y CC). Compruebe siempre TODAS fuentes de corriente antes de abrir el chasis del cargador/inversor Trace Series™.

#### **Para instalar la TR-CONDUIT BOX:**

1. Saque cuidadosamente la TR-CONDUIT BOX. Retire todo el material de embalaje.
2. Compruebe que el cargador/inversor Trace Series™ (elemento A de la Figura 1) está completamente desactivado.
3. Retire el tornillo de la cubierta (elemento B de la Figura 1) del cargador/inversor Trace Series™.
4. Alinee la TR-CONDUIT BOX con el lateral izquierdo del chasis del cargador/inversor Trace Series™. Fíjela a la misma superficie (pared) a la que está fijado el cargador/inversor Trace Series™ con el material de montaje adecuado (elemento H de la Figura 1).
5. Retire los prepunzonados para conductos adecuados (elementos E/F de la Figura 1). Los prepunzonados están diseñados para alojar adaptadores de conductos de 19 mm, (¾ de pulgada) 25,4 mm (1 pulgada) y 50,8 mm (2 pulgadas).
6. Conecte el conducto de entrada a la TR-CONDUIT BOX con un adaptador de conductos.
7. Introduzca los cables de CC en el cargador/inversor Trace Series™. Conéctelos según los diagramas de cableado y las instrucciones que se describen en el Manual de instalación del cargador/inversor Trace Series™ (Nº. de ref.: 975-0367-01-01).

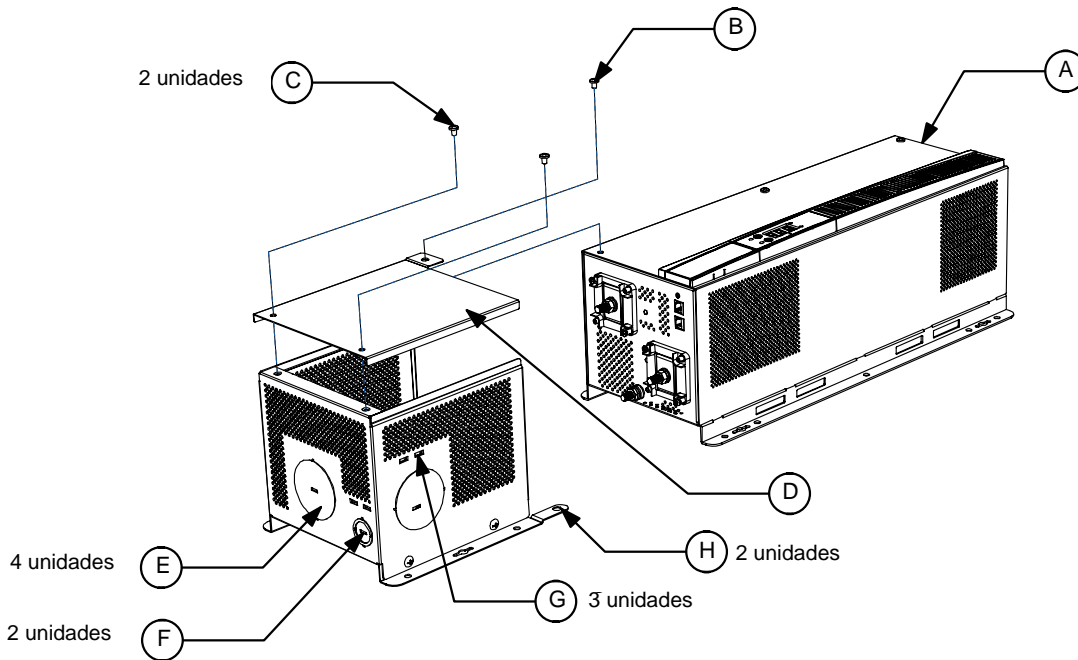
**Importante:** Es posible que, en instalaciones con cableado de CC más amplias, sea necesaria una lengüeta para crimpar de ángulo recto. Consulte el Manual de instalación del cargador/inversor Trace Series™ (Nº. de ref.: 975-0367-01-01) para obtener más detalles.

8. Conecte un cable de tierra de CC a la lengüeta de conexión a tierra del cargador/inversor Trace Series™.  
Si están instalados, los cables del sensor de temperatura de batería o del sensor remoto se pueden derivar y conectar al lateral de la caja de derivación de CC mediante las ranuras de sujeción del cable (elemento G de la Figura 1, 3 lugares).

**Importante:**

- Ajuste las conexiones de tierra y batería de los terminales del cargador/inversor Trace Series™ con un par de apriete de 13,5-20,3 Nm (10-15 pies-libras).
- No cambie los tornillos del inversor (elemento C de la Figura 1) por los tornillos incluidos para la TR-CONDUIT BOX (elemento B de la Figura 1), ya que tienen tamaños distintos.

9. Conecte la cubierta de la caja de derivación (elemento D de la Figura 1) con el material proporcionado (elemento B de la Figura 1). Fije la cubierta a la parte superior del cargador/inversor Trace Series™ con el tornillo que ha retirado en el paso 3 (elemento C de la Figura 1).
10. Aplique energía al cargador/inversor Trace Series™ y pruebe que funciona correctamente, tal como se describe en el Manual de instalación del cargador/inversor Trace Series™.



- A = Cargador/inversor Trace Series™
- B = Tornillos de fijación de la cubierta superior de la caja de derivación de CC al cargador/inversor Trace Series™
- C = Tornillos de fijación de la cubierta superior de la caja de derivación de CC
- D = Cubierta superior de la caja de derivación de CC
- E = Prepunzonado para conductos de 50 mm (2 pulgadas)
- F = Prepunzonado para conductos (anidado) de 19 mm (3/4 de pulgada) y 25,4 mm (1 pulgada)
- G = Ranuras de sujeción/retención del cable
- H = Elemento de montaje de la caja de derivación de CC al cargador/inversor Trace Series™

**Figura 1**

**Nota sobre la propiedad intelectual** Instrucciones de instalación de la TR-CONDUIT BOX del cargador/inversor Trace Series™ Mayo de 2008 Xantrex International. Todos los derechos reservados.

**Exclusión para la documentación** A MENOS QUE SE ACUERDE ALGO DISTINTO POR ESCRITO, XANTREX TECHNOLOGY INC. (EN ADELANTE, "XANTREX"):

- (A) NO OFRECE NINGUNA GARANTÍA REFERENTE A LA PRECISIÓN, COMPLETITUD O ADECUACIÓN DE NINGÚN TIPO DE INFORMACIÓN, TÉCNICA NI DE OTRO TIPO, CONTENIDA EN SUS MANUALES O EN CUALQUIER OTRA DOCUMENTACIÓN.
- (B) NO SE HACE RESPONSABLE DE NINGUNA PÉRDIDA, DAÑO, GASTO O COSTE, YA SEA ESPECIAL, DIRECTO, INDIRECTO, DERIVADO O ACCIDENTAL, QUE SE PUEDA PRODUCIR POR EL USO DE DICHA INFORMACIÓN. EL USUARIO ASUME TODOS LOS RIESGOS DERIVADOS DEL USO DE DICHA INFORMACIÓN; Y
- (C) RECUERDA QUE SI ESTE MANUAL ESTÁ TRADUCIDO A OTRA LENGUA QUE NO SEA INGLÉS, NO SE PUEDE GARANTIZAR LA EXACTITUD DE LA TRADUCCIÓN, AUNQUE SE HAN LLEVADO A CABO LOS PASOS NECESARIOS PARA CONSERVARLA. EL CONTENIDO APROBADO POR XANTREX APARECE EN LA VERSIÓN INGLESA, QUE SE PUEDE CONSULTAR EN WWW.XANTREX.COM.

**Fecha y revisión** Mayo de 2008 Revisión B

**Número de referencia** 975-0368-01-01

**Información de contacto** Correo electrónico: customerservice@xantrex.com Sitio Web: www.xantrex.com

## Información de garantía y devolución

### Garantía

**¿Qué cubre y cuánto dura la garantía?** Xantrex Technology, Inc. ("Xantrex") proporciona esta garantía limitada, que cubre los defectos de fabricación y materiales de su TR-CONDUIT BOX del cargador/inversor Trace Series™. La presente garantía tiene una validez de dos (2) años a partir de la fecha de compra en el punto de venta en que usted, el usuario final original, haya adquirido el producto, salvo que se hayan acordado otros términos. Para cualquier reclamación basada en la garantía, deberá presentar la prueba de compra del producto.

La presente garantía limitada se puede transferir a posteriores propietarios del producto, pero sólo tendrá validez durante el tiempo restante del período de garantía. Asimismo, se exigirá a los posteriores propietarios que presenten la prueba de compra, tal como se describe en "¿Cuál es la prueba de compra que se necesita?".

**¿Cómo actuará Xantrex?** Durante el período de garantía y según su propio criterio, Xantrex reparará el producto defectuoso (si resulta económicamente viable) o lo sustituirá de forma gratuita, siempre y cuando el defecto del producto se haya notificado a Xantrex dentro del período de garantía, y Xantrex, tras una inspección, haya constatado la existencia de dicho defecto y éste esté cubierto por la presente garantía limitada.

Xantrex podrá optar, según su criterio, por la utilización de piezas nuevas y/o reparadas para llevar a cabo las reparaciones cubiertas por la garantía y la fabricación de productos de sustitución. Xantrex se reserva el derecho de utilizar piezas o productos de diseño original o mejorado en la reparación o sustitución del producto. En caso de que Xantrex repare o sustituya un producto, la presente garantía continuará vigente durante el período restante de la garantía original o durante un período de 90 días a partir de la fecha de devolución al cliente si este último período fuera de mayor duración que el anterior. Todos los productos sustituidos y las piezas retiradas de los productos reparados pasarán a ser propiedad de Xantrex.

Xantrex se hará cargo de las piezas y la mano de obra necesarias para la reparación del producto, así como de la devolución del producto al cliente, que se realizará mediante el transporte por tierra no urgente elegido por Xantrex, dentro de las zonas contiguas a Estados Unidos y Canadá. A este respecto, la garantía no incluye a Alaska, Hawai o los territorios que no pertenezcan a Estados Unidos o Canadá. Si desea obtener información detallada sobre la política de transporte para la devolución de productos desde zonas no incluidas en la garantía, póngase en contacto con el servicio de atención al cliente de Xantrex.

**¿Qué debe hacer para recibir asistencia?** Si el producto requiere el servicio de asistencia en garantía o resolución de problemas, póngase en contacto con su vendedor. Si no consigue ponerse en contacto con el vendedor o si éste no puede proporcionarle asistencia, póngase en contacto con Xantrex en las direcciones y teléfonos siguientes:

Sitio Web: [www.xantrex.com](http://www.xantrex.com)

Las devoluciones directas se realizarán según la política de autorización para la devolución de materiales (RMA, Return Material Authorization) de Xantrex descrita en el manual del producto. Para determinados productos, Xantrex dispone de una red de centros regionales de asistencia autorizados. Póngase en contacto con Xantrex o visite nuestro sitio Web para comprobar si su producto se puede reparar en alguno de estos centros.

**¿Cuál es la prueba de compra que se necesita?** Para cualquier reclamación basada en la garantía, será necesario enviar el producto con una prueba de compra fechada y no haberlo desmontado ni modificado sin autorización previa por escrito de Xantrex.

Constituyen prueba de compra los siguientes documentos:

- El recibo de compra fechado correspondiente a la compra original del producto por parte del usuario final en el punto de venta.
- El recibo de compra o la factura del distribuidor con fecha que muestre el estado de producto de fabricante de equipos originales (OEM).
- El recibo de compra o la factura con fecha que indiquen el producto intercambiado dentro de la garantía.

**¿Qué limitaciones tiene la garantía?** Las reclamaciones se limitarán a la reparación y sustitución o, en caso de que Xantrex las considere inviables, al reembolso de una cantidad igual o inferior al precio de compra abonado por el producto. Xantrex se responsabilizará únicamente de los daños directos que pueda sufrir el usuario y, en tal caso, sólo deberá abonar una cantidad igual o inferior al precio de compra del producto.

La presente garantía limitada no garantiza el funcionamiento ininterrumpido y sin errores del producto, y no cubre el desgaste normal del producto ni los costes relacionados con la retirada, instalación o resolución de problemas de los sistemas eléctricos del cliente. Esta garantía no tendrá aplicación y Xantrex no se hará responsable de ningún daño o defecto del producto en los siguientes casos:

- a) Cuando el producto no se haya utilizado debidamente, se haya descuidado, no se haya instalado correctamente o se haya dañado o modificado físicamente, en el interior o exterior; o en caso de que los daños que haya sufrido sean derivados del uso incorrecto o la utilización en un entorno inadecuado.
- b) Cuando el producto haya entrado en contacto con fuego, agua, corrosión generalizada o plagas biológicas, o se haya sometido a un voltaje que haga que las condiciones de funcionamiento sobrepasen los límites inferiores o superiores indicados en las especificaciones del producto de Xantrex, incluido el voltaje procedente de generadores y rayos.
- c) Cuando las tareas de reparación del producto no se hayan realizado en Xantrex o en uno de sus centros de asistencia autorizados (en adelante, "ASC").
- d) Cuando el producto se haya utilizado como componente de un producto garantizado expresamente por otro fabricante.
- e) Cuando las marcas de identificación originales (marca comercial, número de serie) del producto se hayan desfigurado, alterado o eliminado.
- f) Cuando el producto se encuentre fuera del país en el que se adquirió.
- g) Cuando exista una pérdida derivada que se pueda atribuir a una pérdida de potencia del producto debida a un uso indebido, un error de instalación o un comportamiento incorrecto del producto.

## Descargo de responsabilidad

### Producto

LA PRESENTE GARANTÍA LIMITADA CONSTITUYE LA ÚNICA Y EXCLUSIVA GARANTÍA PROPORCIONADA POR XANTREX PARA SU PRODUCTO XANTREX Y PREVALECE, EN LA MEDIDA PERMITIDA POR LA LEY, SOBRE CUALQUIER OTRA GARANTÍA, CONDICIÓN, AFIRMACIÓN, OBLIGACIÓN O RESPONSABILIDAD, YA SEA IMPLÍCITA O EXPRESA, ESTATUTARIA O DE CUALQUIER OTRO TIPO, RELACIONADA CON EL PRODUCTO O QUE PUDIESE SURGIR (YA SEA POR CONTRATO, AGRAVIO, NEGLIGENCIA, PRINCIPIOS DE RESPONSABILIDAD DEL FABRICANTE, APLICACIÓN DE LA LEY, COMPORTAMIENTO, DECLARACIÓN O CUALQUIER OTRO MODO), INCLUIDAS SIN RESTRICCIÓN TODAS LAS GARANTÍAS IMPLÍCITAS O CONDICIONES DE CALIDAD, COMERCIALIZACIÓN O ADECUACIÓN A UN FIN CONCRETO. LA DURACIÓN DE TODAS LAS GARANTÍAS IMPLÍCITAS DE COMERCIALIZACIÓN O ADECUACIÓN A UN FIN CONCRETO, QUE EN LA MEDIDA REQUERIDA POR LA LEY SE APLIQUEN AL PRODUCTO, ESTARÁ LIMITADA AL PERÍODO ESTIPULADO EN LA PRESENTE GARANTÍA LIMITADA. XANTREX NO SE HARÁ RESPONSABLE EN NINGÚN CASO DE: (A) LOS DAÑOS ESPECIALES, INDIRECTOS, ACCIDENTALES O DERIVADOS, INCLUIDA LA PÉRDIDA DE INGRESOS O BENEFICIOS, LA IMPOSIBILIDAD DE OBTENER EL AHORRO ESPERADO, U OTRAS PÉRDIDAS ECONÓMICAS O COMERCIALES DE CUALQUIER TIPO, AUNQUE XANTREX HAYA SIDO NOTIFICADO O TENGA MOTIVOS PARA CONOCER LA POSIBILIDAD DE QUE SE PRODUZCA DICHO DAÑO; (B) CUALQUIER RESPONSABILIDAD QUE PUDIERA SURGIR POR AGRAVIO, DERIVADA O NO DE LA NEGLIGENCIA DE XANTREX, Y TODOS LOS DAÑOS EN CUALQUIER PROPIEDAD O PÉRDIDA DE ÉSTA, ASÍ COMO LAS LESIONES PERSONALES, PÉRDIDAS ECONÓMICAS O DAÑOS ORIGINADOS POR LA CONEXIÓN DE UN PRODUCTO A CUALQUIER OTRO DISPOSITIVO O SISTEMA; Y (C) CUALQUIER LESIÓN PERSONAL O DAÑO DERIVADO DE O CAUSADO POR EL USO INDEBIDO O MAL USO DEL PRODUCTO, O DE UNA INSTALACIÓN, INTEGRACIÓN O UTILIZACIÓN INCORRECTA DEL PRODUCTO.

SI HA ADQUIRIDO EL PRODUCTO EN CALIDAD DE CONSUMIDOR (EN LUGAR DE ADQUIRIRLO EN CALIDAD DE COMPRADOR COMO PARTE DE UNA TRANSACCIÓN COMERCIAL) EN UN ESTADO MIEMBRO DE LA UNIÓN EUROPEA, ESTA GARANTÍA LIMITADA ESTARÁ SUJETA A SUS DERECHOS LEGALES COMO CONSUMIDOR CONFORME A LA NORMATIVA DE GARANTÍA DE PRODUCTOS 1999/44/EC DE LA UNIÓN EUROPEA, TAL COMO SE HAYA IMPLEMENTADO DICHA DIRECTIVA EN EL ESTADO MIEMBRO DE LA UNIÓN EUROPEA EN QUE ADQUIRIÓ EL PRODUCTO. ASIMISMO, AUNQUE ESTA GARANTÍA LIMITADA LE OTORGA DERECHOS LEGALES ESPECÍFICOS, ES POSIBLE QUE DISPONGA DE OTROS DERECHOS QUE PUEDEN VARIAR ENTRE ESTADOS MIEMBROS DE LA UNIÓN EUROPEA. SI NO ADQUIRIÓ EL PRODUCTO EN UN ESTADO MIEMBRO DE LA UNIÓN EUROPEA, ES POSIBLE QUE DISPONGA DE OTROS DERECHOS OTORGADOS EN EL PAÍS EN EL QUE ADQUIRIÓ EL PRODUCTO, QUE PUEDEN VARIAR ENTRE PAÍSES Y JURISDICCIONES.

### Política de autorización para la devolución de materiales (RMA)

Antes de devolver un producto a Xantrex, deberá obtener el número de autorización para la devolución de materiales (de ahora en adelante "RMA") y la dirección correcta a la que debe realizar el envío. Además, los productos deben enviarse a portes pagados. En caso de que los envíos de devoluciones de productos no hayan sido autorizados, no indiquen claramente el número de RMA en la parte exterior del embalaje o se hayan enviado a portes debidos o a una dirección equivocada, el producto le será devuelto y usted correrá con los gastos de devolución.

Cuando se ponga en contacto con Xantrex para solicitar asistencia, deberá tener a mano el manual de instrucciones para su consulta y proporcionar la siguiente información:

- El número de serie del producto.
- La información sobre la instalación y el uso de la unidad.
- La información sobre el defecto y/o la razón por la que se realiza la devolución.
- Una copia de la prueba de compra fechada.

Registre estos datos.

### Procedimiento de devolución

Embale la unidad de forma segura, preferiblemente con los materiales y la caja del embalaje original. Asegúrese de que el producto se envía completamente protegido en el embalaje original o en uno equivalente. La presente garantía no se aplicará si el producto resulta dañado a causa de un embalaje incorrecto.

Incluya la siguiente información:

- Indique claramente en la parte exterior del paquete el número de RMA que le haya proporcionado Xantrex Technology Inc.
- La dirección a la que se debe enviar la unidad cuando se haya reparado. No se podrán utilizar apartados de correos.
- Un número de teléfono de contacto en el que se le pueda localizar durante las horas de trabajo.
- Una breve descripción del problema.

Envíe la unidad a portes pagados a la dirección que le haya indicado su representante del servicio de atención al cliente de Xantrex.

**Si devuelve un producto desde fuera de Estados Unidos o Canadá:** Además de la información indicada anteriormente, deberá incluir el coste de transporte correspondiente a la devolución y hacerse cargo de cualquier documentación, impuesto, arancel y depósito.

**Si devuelve un producto a un centro de asistencia autorizado (ASC) de Xantrex:** No será necesario que Xantrex le proporcione el número de autorización para la devolución de materiales (RMA). Sin embargo, antes de devolver la unidad deberá ponerse en contacto con el centro de asistencia autorizado para comprobar los procedimientos de devolución que se aplican a ese centro en concreto y si dicho centro puede hacerse cargo de la reparación de ese producto de Xantrex concreto.

### Asistencia fuera del período de garantía

Si el período de garantía del producto ha finalizado, si la unidad ha sufrido daños por un uso indebido o una instalación incorrecta, si no se cumplen las condiciones de la garantía o no se dispone de una prueba de compra fechada, se cobrará una tarifa fija por la reparación o sustitución de la unidad.

Si desea enviar el producto al servicio de asistencia fuera del período de garantía, póngase en contacto con el servicio de atención al cliente de Xantrex para obtener el número de autorización para la devolución de materiales (RMA) y siga las indicaciones descritas en la sección "Procedimiento de devolución".

El representante del servicio de atención al cliente le explicará las distintas opciones de pago, como tarjeta de crédito o giro postal. En los casos en los que no se aplique la tarifa fija, como en el caso de las unidades incompletas o aquellas que se encuentren excesivamente dañadas, se cargará un importe adicional. Si corresponde, el servicio de atención al cliente se pondrá en contacto con usted cuando se haya recibido la unidad.

# Wechselrichter/Ladegerät der Trace Series™-DC-Abzweigdose (TR-CONDUIT BOX) Installationshinweise

975-0368-01-01  
Überarbeitung B

## Sicherheitshinweise

Die zweckentfremdete Verwendung oder der falsche Anschluss des Wechselrichters/Ladegeräts der Trace Series™ TR-CONDUIT BOX kann zu Anlagenschäden führen oder die Benutzer gefährden. Die folgenden Sicherheitshinweise genau durchlesen und alle Vorsichts- und Warnhinweise in diesem Dokument und im Installationshandbuch des Wechselrichters/Ladegeräts der Trace Series™ beachten (Artikel-Nr.: 975-0367-01-01).

1. Sämtliche Verkabelungen müssen in Übereinstimmung mit den jeweils geltenden örtlichen, nationalen und internationalen Bestimmungen erfolgen.
2. Alle Elektroarbeiten müssen durch einen qualifizierten Fachbetrieb ausgeführt werden.
3. Vor Installation und Verwendung dieses Geräts alle Anweisungen durchlesen und alle Warnhinweise im Handbuch, auf dem Wechselrichter, den Akkus und anderem Zubehör beachten.



### **ACHTUNG: Berührungsgefahr**

Der Wechselrichter/das Ladegerät der Trace Series™ akzeptiert Eingangsspannungen von mehr als einer Quelle (Netzspannung und Gleichspannung). Vor dem Öffnen eines Geräts der Trace Series™ kontrollieren, ob ALLE Spannungsquellen zum Wechselrichter spannungslos sind.

### **Installation der TR-CONDUIT BOX :**

1. Die TR-CONDUIT BOX vorsichtig auspacken. Verpackungsmaterial entfernen.
2. Die vollständige Spannungsfreiheit des Wechselrichters/Ladegeräts der Trace Series™ (Punkt A in Abbildung 1) überprüfen.
3. Die Deckelschraube (Teil B in Abbildung 1) des Geräts der Trace Series™ herausdrehen.
4. Die TR-CONDUIT BOX auf die linke Seite des Gerätegehäuses der Trace Series™ ausrichten. Sie muss an der gleichen Fläche (Wand) wie der Wechselrichter/das Ladegerät der Trace Series™ mit der entsprechenden Halterung (Teil H in Abbildung 1) montiert werden.
5. Die entsprechenden Kabeleinführungen (Teil E/F in Abbildung 1) entfernen. Die Kabeleinführungen eignen sich für Kabel mit 19, 25,4 und 50,8 mm (3/4 Zoll, 1 Zoll und 2 Zoll) Durchmesser.
6. Das Kabeleinführungsrohr mit einem Kabelverschluss an der TR-CONDUIT BOX anbauen.
7. Die Gleichspannungskabel zu dem Gerät der Trace Series™ führen. Die Kabel entsprechend dem Kabelplan und den Anweisungen im Installationshandbuch des Wechselrichters/Ladegeräts der Trace Series™ anschließen (Artikelnummer: 975-0367-01-01).

**Wichtig:** Beim Anschluss größerer Gleichspannungskabel kann ein rechtwinkliger Gleichspannungskabelschuh erforderlich sein. Weitere Informationen finden Sie im Installationshandbuch des Wechselrichters/Ladegeräts der Trace Series™ (Artikel-Nummer: 975-0367-01-01).

8. Ein Gleichspannungserdkabel an der Erdschraube des Gehäuses für das Gerät der Trace Series™ anschließen. Wenn BTS-Kabel sowie Kabel der Fernbedienung installiert sind, können diese an der Seite des DC-Anschlusskastens entlang geführt und an den vorgesehenen Kabelbinderschlitzen fixiert werden (Teil G in Abbildung 1, 3-mal).

**Wichtig:**

- Die Akku- und Erdanschlüsse an den Klemmen des Wechselrichters/Ladegeräts der Trace Series™ mit 13,6 bis 20,3 Nm (10-15 ft.-lbs) festziehen.
- Die Schrauben des Wechselrichters (Teil C in Abbildung 1) nicht mit den Schrauben für die TR-CONDUIT BOX (Teil B in Abbildung 1) verwechseln; sie haben verschiedene Größen.

- Den Deckel der Abzweigdose (Teil D in Abbildung 1) mit der mitgelieferten Schraube anbauen (Teil B in Abbildung 1). Den Deckel an der Oberseite des Wechselrichters/Ladegeräts der Trace Series™ mit der in Schritt 3 herausgedrehten Schraube sichern (Teil C in Abbildung 1).
- Den Wechselrichter/das Ladegerät der Trace Series™ einschalten und entsprechend der Beschreibung im Installationshandbuch für den Wechselrichter/das Ladegerät der Trace Series™ die einwandfreie Funktion überprüfen (Artikelnummer: 975-0367-01-01).

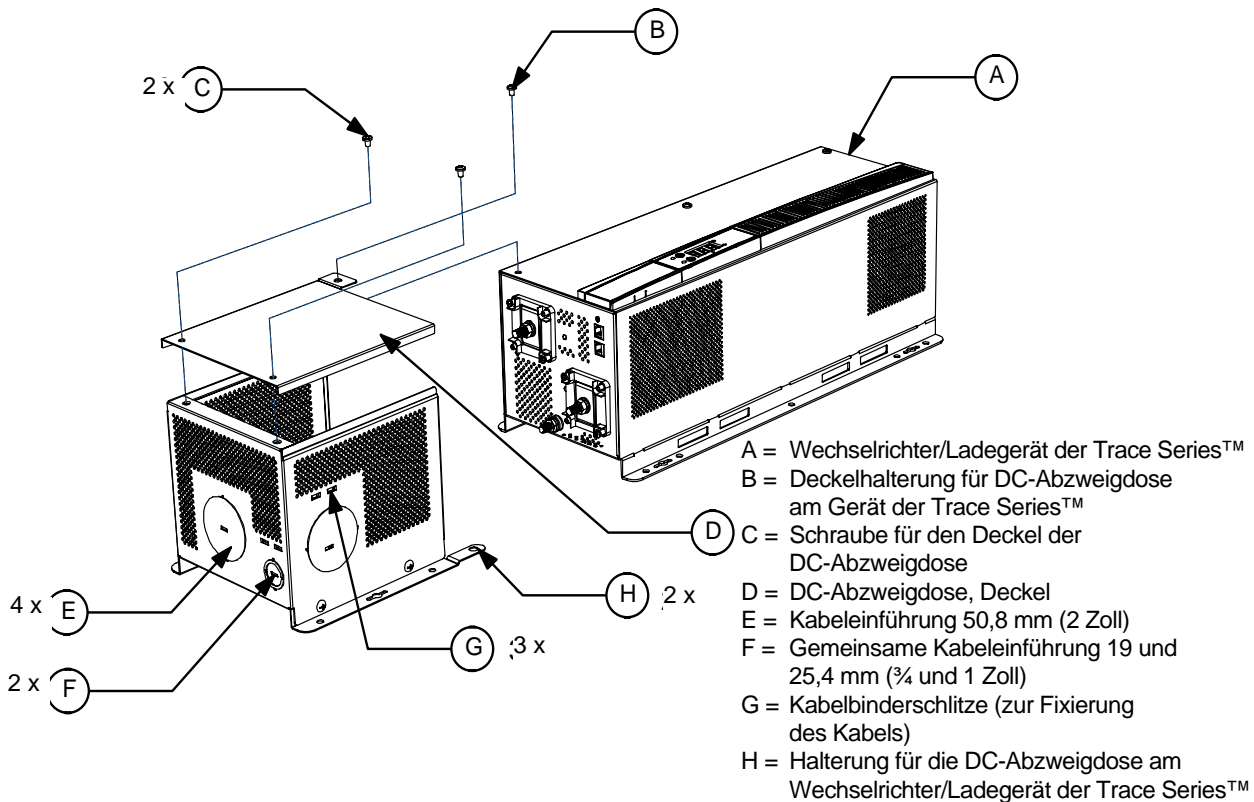


Abbildung 1

**Copyright** Installationshandbuch für die TR-CONDUIT BOX des Wechselrichters/Ladegeräts der Trace Series™ © Mai 2008 Xantrex International. Alle Rechte vorbehalten.

**Haftungsausschluss für die Dokumentation** WENN NICHT AUSDRÜCKLICH SCHRIFTLICH FESTGELEGT, TRIFFT FOLGENDES AUF XANTREX TECHNOLOGY INC. (IM FOLGENDEN KURZ „XANTREX“ GENANNT) ZU. XANTREX:

- GIBT KEINE GARANTIE HINSICHTLICH DER GENAUIGKEIT, VOLLSTÄNDIGKEIT ODER EIGNUNG DER IN DEN HANDBÜCHERN ODER ANDEREN UNTERLAGEN ENTHALTENEN TECHNISCHEN ODER ANDEREN INFORMATIONEN.
- ÜBERNIMMT KEINE VERANTWORTUNG ODER HAFTUNG FÜR SICH AUS DER NUTZUNG SOLCHER INFORMATIONEN ERGEBENDE SPEZIELLE, DIREKTE, INDIREKTE, ZUFÄLLIGE ODER FOLGESCHÄDEN, VERLUSTE, KOSTEN ODER AUSGABEN. DIE NUTZUNG DIESER INFORMATIONEN ERFOLGT AUF ALLEINIGE GEFÄHR DES ANWENDERS.
- WEIST DARAUF HIN, DASS FÜR DIESES HANDBUCH, WENN ES IN EINER ANDEREN SPRACHE ALS ENGLISCH VORLIEGT, ZWAR ALLE SCHRITTE ZUR SICHERSTELLUNG DER GENAUIGKEIT DER ÜBERSETZUNG ERGRIFFEN WURDEN, DIE GENAUIGKEIT ABER NICHT GARANTIERT WERDEN KANN. DER VON XANTREX GENEHMIGTE INHALT IN ENGLISCHER SPRACHE IST UNTER [WWW.XANTREX.COM](http://WWW.XANTREX.COM) VERÖFFENTLICHT.

**Datum und Überarbeitung** Mai 2008 Überarbeitung B

**Artikelnummer** 975-0368-01-01

**Kontaktinformationen** E-Mail: [customerservice@xantrex.com](mailto:customerservice@xantrex.com) Web: [www.xantrex.com](http://www.xantrex.com)

## Gewährleistung und Rücksendeinformationen

### Gewährleistung

**Gewährleistungsumfang und Gewährleistungsdauer?** Diese eingeschränkte Gewährleistung von Xantrex Technology Inc. („Xantrex“) gilt für Herstellungsmängel und Materialfehler bei Ihrem Wechselrichter/Ladegerät der Trace Series™ TR-CONDUIT BOX. Diese Gewährleistung erstreckt sich, soweit nicht anderweitig schriftlich vereinbart, über einen Zeitraum von 2 Jahre, ab Erwerb durch den Endkunden. Um Gewährleistungsansprüche geltend machen zu können, benötigen Sie einen Kaufnachweis. Diese beschränkte Gewährleistung kann auf nachfolgende Besitzer übertragen werden, allerdings nur für den noch nicht abgelaufenen Rest der Gewährleistungsdauer. Nachfolgende Besitzer benötigen ebenfalls einen originalen Kaufnachweis, wie im Abschnitt „Welche Art von Kaufnachweis wird benötigt?“ beschrieben.

**Gewährleistung durch Xantrex?** Während des Gewährleistungszeitraums wird Xantrex, nach eigenem Ermessen, das defekte Produkt kostenlos reparieren (sofern wirtschaftlich vertretbar) oder ersetzen, vorausgesetzt, dass Sie Xantrex vom Produktdefekt innerhalb des Gewährleistungszeitraums informieren und Xantrex nach Prüfung einen derartigen Defekt zur Kenntnis nimmt. Dieser Defekt muss durch die vorliegende Gewährleistung abgedeckt werden.

Xantrex wird nach eigenem Ermessen entweder neue oder überholte Teile für die Reparatur und die Erstellung von Ersatzprodukten im Rahmen einer Gewährleistung verwenden. Xantrex behält sich das Recht vor, originale oder verbesserte Teile oder Produkte für die Reparatur oder den Ersatz zu verwenden. Wenn Xantrex ein Produkt repariert oder ersetzt, besteht für dieses die noch verbleibende Gewährleistungsdauer des Originalprodukts oder - wenn diese kürzer als 90 Tage ist - eine Gewährleistungsdauer von 90 Tagen, gerechnet ab Versand des reparierten Produkts an den Kunden. Alle ersetzten Produkte und alle Teile, die aus reparierten Produkten entfernt wurden, gehen in das Eigentum von Xantrex über.

Xantrex übernimmt bei der Reparatur des Produkts sowohl die Kosten für die Teile und Arbeitszeit als auch die Versandkosten an den Kunden mittels eines von Xantrex ausgewählten Zustelldienstes innerhalb der USA und Kanadas. Alaska, Hawaii sowie Gebiete außerhalb der Vereinigten Staaten oder Kanadas sind hiervon ausgenommen. Wenden Sie sich für weitere Informationen zu den Frachtbestimmungen für Rücksendungen aus ausgenommenen Gebieten an den Xantrex-Kundendienst.

**Wie erreichen Sie unseren Kundendienst?** Sollten Sie technische Probleme haben oder Gewährleistungsansprüche geltend machen wollen, wenden Sie sich an Ihren Händler. Wenn Sie Ihren Händler nicht erreichen können oder der Händler Ihnen nicht weiterhelfen kann, wenden Sie sich direkt an Xantrex:

Website: [www.xantrex.com](http://www.xantrex.com)

Direkte Rücksendungen werden entsprechend den Richtlinien für die Materialrücksendung von Xantrex durchgeführt, die im Handbuch erläutert sind. Für einige Produkte verfügt Xantrex über ein Netzwerk von regionalen autorisierten Kundendienstzentren. Wenden Sie sich per Telefon an Xantrex, oder besuchen Sie die Website, um zu überprüfen, ob Ihr Produkt in einem dieser Zentren repariert werden kann.

**Welche Art von Kaufnachweis wird benötigt?** Dem Gewährleistungsanspruch muss ein datierter Kaufnachweis beiliegen, und das Produkt darf nicht ohne vorherige Einwilligung von Xantrex auseinandergelöst oder verändert worden sein.

Der Kaufnachweis kann in einer der folgenden Formen vorliegen:

- Kaufnachweis mit Datum vom Originalverkauf des Produkts beim Einzelhandel an den Endkunden; oder
- datierte Rechnung des Händlers oder ein Kaufnachweis, der den Status des Originalgeräteherstellers (OEM) anzeigt, oder
- die datierte Rechnung oder den Kaufnachweis, die beweisen, dass das Produkt während des Garantiezeitraums den Besitzer gewechselt hat.

**Was ist von der Gewährleistung ausgeschlossen?** Ansprüche sind auf Reparatur oder Ersatz beschränkt, oder falls dies nach Ermessen von Xantrex nicht möglich ist, auf die Erstattung bis in Höhe des bezahlten Kaufpreises des Produkts. Xantrex haftet Ihnen gegenüber nur für von Ihnen erlittene direkte Schäden und maximal bis zu einem Betrag, der dem Kaufpreis des Produkts entspricht. Diese beschränkte Garantie bezieht sich nicht auf ununterbrochenen oder fehlerfreien Betrieb des Produkts noch auf den normalen Verschleiß des Produkts oder auf Kosten, die durch Entfernung, Installation oder Fehlerbehebung am elektrischen System des Kunden entstanden sind. Diese Gewährleistung gilt nicht für folgende Defekte oder Schäden am Produkt bzw. für Schäden, die unter folgenden Umständen entstanden sind:

- a) wenn das Produkt innen oder außen unsachgemäß verwendet oder installiert, vernachlässigt, beschädigt oder verändert wurde oder durch falsche Verwendung bzw. Verwendung in ungeeigneter Umgebung beschädigt wurde;
- b) wenn das Produkt Feuer, Wasser, allgemeiner Korrosion, biologischem Befall oder einer Eingangsspannung ausgesetzt wird, die zu Betriebsbedingungen führt, die das Maximum bzw. Minimum der Xantrex-Produktspezifikationen überschreiten, einschließlich zu hoher, durch Generatoren und Blitzschläge hervorgerufenen Eingangsspannung;
- c) wenn das Produkt von anderen Stellen als von Xantrex oder einem anerkannten Kundendienstzentrum (im Folgenden "ASCs") repariert wurde;
- d) wenn das Produkt als Teil eines anderen Produkts verwendet wurde, das ausdrücklich der Gewährleistung eines anderen Herstellers unterliegt;
- e) wenn die originalen Kennzeichen (Markenzeichen, Seriennummer) unleserlich gemacht, verändert oder entfernt wurden;
- f) wenn sich das Produkt außerhalb des Landes befindet, in dem es erworben wurde, und
- g) alle Folgeschäden, die durch Energieverlust des Produkts entweder aufgrund einer Fehlfunktion des Produkts, eines Installationsfehlers oder unsachgemäßen Gebrauchs entstanden sind.



## Haftungsausschluss

### Produkt

DIESE BESCHRÄNKTE GARANTIE IST DIE EINZIGE UND AUSSCHLIESSLICHE GARANTIE, DIE XANTREX IN VERBINDUNG MIT IHREM XANTREX-PRODUKT LIEFERT UND BESTEHT, WO IMMER DAS GESETZ ES GESTATTET, AN STELLE VON ALLEN ANDEREN GARANTIEEN, BEDINGUNGEN, ERKLÄRUNGEN, VERPFLICHTUNGEN UND HAFTUNGEN, AUSDRÜCKLICH ODER IMPLIZIT, SCHRIFTLICH ODER ANDERNFALLS IN VERBINDUNG MIT DEM PRODUKT, WORAUF SIE AUCH IMMER BASIEREN (ENTWEDER AUF VERTRAG, UNERLAUBTER HANDLUNG, VERNACHLÄSSIGUNG, PRINZIPIEN DER HAFTUNG DES HERSTELLERS, RECHTSTÄTIGKEIT, VERHALTEN, ERKLÄRUNG ODER ANDERES), EINSCHLIESSLICH ABER NICHT BESCHRÄNKT AUF JEGLICHE IMPLIZITE GARANTIE ODER QUALITÄT, MARKTFÄHIGKEIT ODER EIGNUNG FÜR EINEN BESTIMMTEN ZWECK. JEGLICHE IMPLIZITE GEWÄHRLEISTUNG DER MARKTFÄHIGKEIT ODER EIGNUNG FÜR EINEN BESTIMMTEN ZWECK, IN DEM AUSMASSE WIE ES DAS ANWENDBARE RECHT ERFORDERT, IST AUF DIE UNTER DIESER BESCHRÄNKTEN GEWÄHRLEISTUNG FESTGELEGTE ZEITDAUER BESCHRÄNKT.

XANTREX IST IN KEINEM FALL HAFTBAR FÜR: (A) BESONDERE, INDIREKTE, VERSEHENTLICHE ODER FOLGESCHÄDEN, EINSCHLIESSLICH ENTGANGENEN GEWINN, ENTGANGENE EINKÜNFEN, NICHT ERZIELBARE EINSPARUNGEN ODER ANDERE KOMMERZIELLE ODER WIRTSCHAFTLICHE VERLUSTE ALLER ART, SELBST WENN XANTREX ÜBER DIE MÖGLICHKEIT SOLCHER SCHÄDEN INFORMIERT WAR ODER ANDERWEITIG DAVON WISSEN KONNTE, (B) VERBINDLICHKEITEN, DIE AUS UNERLAUBTEN HANDLUNGEN ENTSTEHEN, GANZ GLEICH, OB SIE AUF FAHRLÄSSIGKEIT VON XANTREX BERUHEN, SOWIE FÜR ALLE VERLUSTE UND SCHÄDEN AN EIGENTUM ODER PERSONENSCHÄDEN ODER WIRTSCHAFTLICHE VERLUSTE ODER SCHÄDEN, DIE DURCH DEN ANSCHLUSS EINES PRODUKTS AN EIN ANDERES GERÄT ODER SYSTEM ENTSTANDEN SIND, UND (C) SCHÄDEN ODER VERLETZUNGEN, DIE AUS ODER ALS ERGEBNIS VON UNSACHGEMÄSSEM GEBRAUCH ODER MISSBRAUCH ODER FEHLERHAFTER INSTALLATION, INTERGRATION ODER BETRIEB DES PRODUKTS ENTSTANDEN SIND.

WENN SIE DAS PRODUKT ALS PRIVATMANN (UND NICHT ALS GESCHÄFTSMANN) IN EINEM MITGLIEDSTAAT DER EUROPÄISCHEN UNION ERWORBEN HABEN, UNTERLIEGT DIESE BESCHRÄNKTE GEWÄHRLEISTUNG DEN GESETZLICHEN RECHTEN, DIE IHNEN ALS VERBRAUCHER GEMÄSS DER EUROPÄISCHEN VERBRAUCHSGÜTERKAUFRICHTLINIE 1999/44/EG ZUSTEHEN, SOFERN DIESE RICHTLINIE IN DEM MITGLIEDSTAAT DER EUROPÄISCHEN UNION, IN DEM SIE DAS PRODUKT ERWORBEN HABEN, UMGESETZT WURDE. WEITERHIN KÖNNEN, WÄHREND IHNEN DIESE BESCHRÄNKTE GEWÄHRLEISTUNG BESTIMMTE GESETZLICHE RECHTE VERLEIHT, AUSSERDEM NOCH ANDERE RECHTE GELTEN, DIE VON EU-MITGLIEDSTAAT ZU EU-MITGLIEDSTAAT VARIIEREN KÖNNEN, ODER FALLS SIE DAS PRODUKT NICHT IN EINEM EU-MITGLIEDSTAAT ERWORBEN HABEN, KÖNNEN DIESE IN DEM LAND, IN DEM SIE DAS PRODUKT ERWORBEN HABEN, VON LAND ZU LAND UND VON RECHTSRAUM ZU RECHTSRAUM VARIIEREN.

### Materialrücksendungsdienst

Bevor Sie ein Produkt direkt an Xantrex zurücksenden, müssen Sie eine Materialrücksendungsnummer (RMA-Nummer) und die korrekte Empfängeradresse anfordern. Das Versandporto muss im Voraus bezahlt werden. Die Annahme von Produktsendungen wird verweigert, und die Sendung wird zu Ihren Lasten an Sie zurückgesandt, wenn sie nicht autorisiert oder nicht mit einer deutlich auf der Außenseite der Versandverpackung sichtbaren RMA-Nummer versehen ist bzw. wenn sie unfrei oder an die falsche Adresse versandt wird.

Wenn Sie sich an den Xantrex-Kundendienst wenden, halten Sie Ihr Benutzerhandbuch bereit, um folgende Informationen anzugeben:

- Seriennummer des Produkts
- Informationen zur Installation und Verwendung des Geräts
- Informationen zum Problem bzw. zum Grund für die Rücksendung
- Kopie des datierten Kaufnachweises

Notieren Sie diese Details.

### Rücksendungsabwicklung

Verpacken Sie das Gerät sicher, vorzugsweise in der Originalverpackung. Stellen Sie sicher, dass das Produkt vollständig versichert und in der Originalverpackung oder einer gleichwertigen Verpackung versandt wird. Diese Gewährleistung gilt nicht für Schäden, die durch eine unsachgemäße Verpackung entstehen.

Legen Sie Folgendes bei:

- Die RMA-Nummer, die von Xantrex Technology Inc. an Sie weitergegeben wurde. Die Nummer muss deutlich sichtbar auf der Außenseite der Verpackung angebracht sein.
- Eine Absenderadresse, an die das Gerät zurückgesandt werden kann. Postfachadressen sind nicht zulässig.
- Eine Kontakttelefonnummer, unter der Sie tagsüber erreichbar sind.
- Eine kurze Beschreibung des Problems.

Senden Sie das Gerät mit bezahltem Porto an die Adresse, die Ihnen von Ihrem Xantrex-Kundendienstvertreter mitgeteilt wurde.

**Wenn Sie ein Produkt von außerhalb der USA oder aus Kanada zurücksenden:** Zusätzlich zu oben genannten Bedingungen MÜSSEN Sie den Betrag für das Rücksendungsporto beilegen, und Sie sind für alle Frachtdokumente, Abgaben, Zölle und Kautionen verantwortlich.

**Wenn Sie ein Produkt an ein autorisiertes Xantrex-Kundendienstzentrum (ASC) zurücksenden:** Eine RMA-Nummer von Xantrex ist nicht erforderlich. Sie müssen sich jedoch vor Rücksendung oder Abgabe des Produkts an das autorisierte Kundendienstzentrum wenden, um sich über das im jeweiligen Kundendienstzentrum geltende Rückgabeverfahren zu informieren und um sich bestätigen zu lassen, dass das Kundendienstzentrum das spezielle Xantrex-Produkt auch repariert.

### Kundendienstleistungen außerhalb der Gewährleistung

Wenn der Gewährleistungszeitraum für Ihr Produkt abgelaufen ist, das Gerät durch unsachgemäßen Gebrauch oder falsche Installation beschädigt wurde, andere Gewährleistungsbedingungen nicht erfüllt wurden oder kein datierter Kaufnachweis verfügbar ist, kann Ihr Gerät zu einem Pauschalpreis instand gesetzt oder ersetzt werden.

Für eine Rücksendung zu Reparaturzwecken außerhalb der Gewährleistung wenden Sie sich an den Kundendienst von Xantrex, um eine RMA-Nummer anzufordern, und befolgen Sie die im Abschnitt „Rücksendungsabwicklung“ beschriebenen Schritte.

Der Kundendienstvertreter erläutert Ihnen gern die Zahlungsoptionen, wie beispielsweise Kreditkarte oder Zahlungsanweisung. In Fällen, in denen der Mindestpauschalbetrag nicht zutrifft, z. B. bei unvollständigen oder stark beschädigten Geräten, wird ein zusätzlicher Betrag erhoben. In diesem Fall tritt der Kundendienst mit Ihnen in Verbindung, sobald das Gerät eingetroffen ist.

---

# Scatola CC (TR-CONDUIT BOX) dell'Inverter/ caricatore Trace Series™ Istruzioni per l'installazione

---

975-0368-01-01  
Revisione B

## Istruzioni per la sicurezza

Il collegamento improprio o non corretto del TR-CONDUIT BOX dell'Inverter/caricatore Trace Series™ può danneggiare le apparecchiature o creare condizioni di pericolo per gli utenti. Leggere le seguenti istruzioni per la sicurezza, prestando particolare attenzione alle segnalazioni di Attenzione e Avviso riportate nel presente documento e nel Manuale per l'installazione dell'Inverter/caricatore Trace Series™ (n. parte 975-0367-01-01).

1. Tutti i lavori elettrici devono essere svolti in conformità alla normativa elettrica locale, nazionale e/o internazionale.
2. Tutti i lavori elettrici devono essere effettuati da un tecnico installatore specializzato.
3. Prima dell'installazione o dell'utilizzo del dispositivo leggere le istruzioni e le segnalazioni di avvertenza riportate nel manuale, sull'inverter, sulle batterie e su ogni altra apparecchiatura correlata.



### **ATTENZIONE: Pericolo di scossa**

L'Inverter/caricatore Trace Series™ accetta alimentazione da più sorgenti (sia in CA che in CC). Prima di procedere all'apertura dello chassis del Trace Series™ verificare sempre che TUTTE le sorgenti di alimentazione siano spente.

### **Per installare la TR-CONDUIT BOX:**

1. Rimuovere con cura l'imballo della TR-CONDUIT BOX : rimuovere tutti i materiali di imballaggio.
2. Verificare che l'Inverter/caricatore Trace Series™ (elemento A nella Figura 1) sia completamente privo di energia elettrica.
3. Rimuovere la vite del coperchio (elemento B nella Figura 1) dal Trace Series™.
4. Allineare la TR-CONDUIT BOX al lato sinistro dello chassis del Trace Series™. Fissarla alla stessa superficie (parete) del Trace Series™ usando il materiale di montaggio adatto (elemento H nella Figura 1).
5. Rimuovere fori incompleti del tubo protettivo (elementi E/F nella Figura 1). I fori consentono il montaggio dei tubi protettivi da 19 mm (¾"), 25,4 mm (1") e 50,8 mm (2").
6. Collegare il tubo protettivo entrante alla scatola usando un accessorio di montaggio del tubo.
7. Passare i fili CC fino al Trace Series™. Effettuare i collegamenti basandosi sugli schemi di cablaggio e le istruzioni del manuale per l'installazione dell'Inverter/caricatore Trace Series™ (numero parte: 975-0367-01-01).

**Importante:** Per cablaggi di notevoli dimensioni potrebbe essere necessario un capocorda a crimpare ad angolo retto. Si veda il manuale per l'installazione dell'Inverter/caricatore Trace Series™ (numero parte: 975-0367-01-01) per maggiori informazioni.

8. Connettere un filo di terra in CC al capocorda di terra dello chassis del Trace Series™. Se installati, far passare i cavi del remoto e del BTS e connetterli al lato della scatola CC usando gli slot di ritenzione del cavo in dotazione (elemento G nella Figura 1, in 3 punti).

**Importante:**

- I valori di coppia di serraggio delle connessioni di terra e batteria sui terminali del Trace Series™ sono di 10-15 piedi-libbre.
- Non scambiare le viti dell'inverter (elemento C nella Figura 1) con le viti fornite con la TR-CONDUIT BOX (elemento B nella Figura 1) in quanto sono di misure differenti.

9. Montare il coperchio della scatola (elemento D nella Figura 1) usando la minuteria metallica in dotazione (elemento B nella Figura 1). Fissare il coperchio sulla parte superiore del Trace Series™ usando la vite rimossa di cui al punto 3 (elemento C nella Figura 1).
10. Alimentare il Trace Series™ ed effettuare il test di funzionamento, come descritto nel Manuale per l'installazione dell'Inverter/caricatore Trace Series™ (numero parte: 975-0367-01-01).

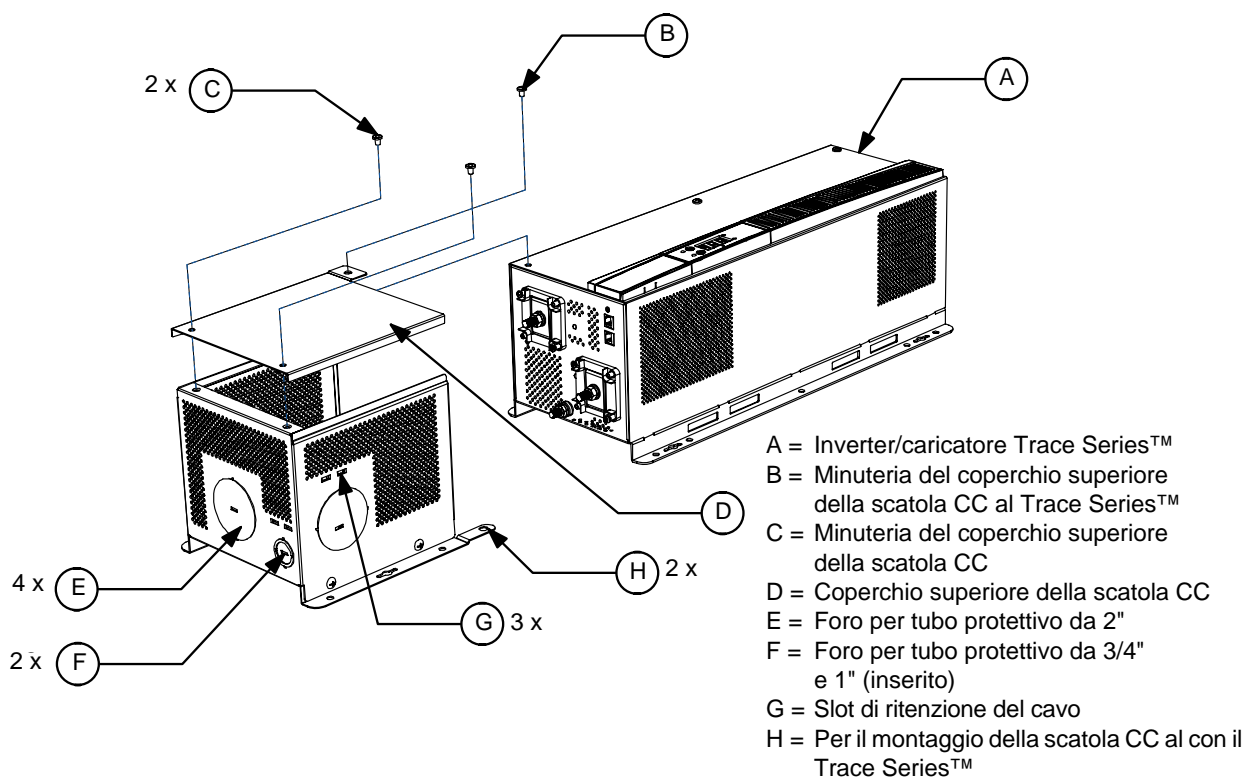


Figura 1

**Copyright** Istruzioni per l'installazione della TR-CONDUIT BOX dell'Inverter/caricatore Trace Series™ © Maggio 2008 Xantrex International. Tutti i diritti riservati.

**Esclusione per la documentazione** SALVO SPECIFICAMENTE CONCORDATO PER ISCRITTO, XANTREX TECHNOLOGY INC. ("XANTREX")

- (A) NON OFFRE ALCUNA GARANZIA IN RELAZIONE ALL'ACCURATEZZA, COMPLETEZZA O IDONEITÀ DELLE INFORMAZIONI TECNICHE O DI ALTRO TIPO FORNITE NEI MANUALI O IN ALTRA DOCUMENTAZIONE.
- (B) NON SI ASSUME ALCUNA RESPONSABILITÀ PER PERDITE O DANNI, COSTI O SPESE, SIA SPECIALI, DIRETTI, INDIRETTI, CONSEGUENZIALI O INCIDENTALI CHE POSSONO DERIVARE DALL'UTILIZZO DI TALI INFORMAZIONI. L'USO DI TALI INFORMAZIONI È INTERAMENTE SOTTO LA RESPONSABILITÀ DEL CLIENTE, E
- (C) RICORDA CHE SE IL PRESENTE MANUALE È IN UNA LINGUA DIVERSA DALL'INGLESE, SEBBENE SIA STATO FATTO IL POSSIBILE PER GARANTIRE L'ACCURATEZZA DELLA TRADUZIONE, TUTTAVIA NON È POSSIBILE GARANTIRE TALE ACCURATEZZA. IL CONTENUTO AUTORIZZATO DA XANTREX È VISIBILE NELLA VERSIONE IN LINGUA INGLESE, PUBBLICATO SU WWW.XANTREX.COM

**Data e revisione** Maggio 2008 Revisione B

**Numero parte** 975-0368-01-01

**Informazioni di contatto** E-mail: customerservice@xantrex.com Web: www.xantrex.com

## Garanzia e informazioni per le restituzioni

### Garanzia

**Copertura della garanzia e durata:** questa Garanzia limitata è fornita da Xantrex Technology, Inc. ("Xantrex") e copre difetti di fabbricazione e di materiale del TR-CONDUIT BOX dell'Inverter/caricatore Trace Series™. Il periodo di garanzia dura per 2 anni dalla data di acquisto nel punto vendita da parte dell'utente finale originale, a meno che diversamente concordato in forma scritta. Per effettuare una richiesta di garanzia dovrete dar prova dell'acquisto del prodotto.

Questa Garanzia limitata è trasferibile a proprietari successivi tuttavia solo per la parte non scaduta del periodo di Garanzia. Anche i proprietari successivi necessitano della prova di acquisto originale come descritto in "Prova d'acquisto richiesta".

**Operazioni effettuate da Xantrex:** durante il periodo di copertura della garanzia Xantrex procederà, a propria discrezione, alla riparazione (se fattibile economicamente) o alla sostituzione del prodotto difettoso gratuitamente, a condizione che il difetto del prodotto venga comunicato a Xantrex entro il Periodo di garanzia e che Xantrex stabilisca l'esistenza di tale difetto tramite l'ispezione del prodotto e lo valuti coperto da questa Garanzia limitata.

Per l'esecuzione della riparazione o della fabbricazione dei prodotti sostitutivi Xantrex utilizzerà, a propria discrezione, parti nuove e/o rigenerate. Nella riparazione o sostituzione Xantrex si riserva il diritto di utilizzare parti o prodotti di progettazione originale o migliorata. Se Xantrex effettua la riparazione o sostituzione di un prodotto, la relativa garanzia continuerà per la parte restante del Periodo di garanzia originale oppure per 90 giorni dalla data di restituzione del prodotto al cliente, a seconda di quale periodo sia più lungo. Tutti i prodotti sostituiti e tutte le parti rimosse dai prodotti riparati diventano proprietà di Xantrex.

Xantrex copre le spese relative ai ricambi, alla manodopera necessaria per riparare il prodotto e alla spedizione tramite un mezzo di trasporto standard selezionato da Xantrex negli Stati Uniti e in Canada. Alaska, Hawaii e paesi al di fuori di Stati Uniti e Canada sono esclusi. Contattare il Servizio clienti Xantrex per informazioni sulla prassi di spedizione per le restituzioni provenienti dalle aree escluse.

**Assistenza:** per la risoluzione di problemi o per assistenza coperta da garanzia, contattare il rivenditore. Se non è possibile contattare il rivenditore o se il rivenditore non è in grado di fornire assistenza, contattare direttamente Xantrex ai seguenti recapiti:

Sito web: [www.xantrex.com](http://www.xantrex.com)

È possibile effettuare restituzioni dirette conformemente ai criteri di autorizzazione per la restituzione di materiali Xantrex descritti nel manuale del prodotto. Per alcuni prodotti Xantrex mantiene una rete di Centri di assistenza autorizzata regionali. Contattare Xantrex o visitare il sito Web relativo per verificare se il prodotto può essere riparato presso una di queste strutture.

**Prova di acquisto richiesta:** in ogni richiesta di garanzia, è necessario che il prodotto sia accompagnato dalla prova di acquisto completa di data e che non sia stato disassemblato o modificato senza previa autorizzazione scritta da parte di Xantrex.

La prova di acquisto può essere in uno dei seguenti formati:

- Ricevuta di acquisto completa di data relativa all'acquisto originale del prodotto al punto vendita dell'utente finale; o
- Fattura del rivenditore completa di data o ricevuta di acquisto che riporti lo stato di produttore del sistema originale (OEM, Original Equipment Manufacturer); o
- Fattura completa di data o ricevuta di acquisto che riporti il prodotto sostituito in garanzia.

**Limitazioni della garanzia:** le richieste di garanzia sono limitate alla riparazione e alla sostituzione, oppure ove ciò non sia possibile, a discrezione di Xantrex, ad un rimborso fino al prezzo pagato per il prodotto. Xantrex si riterrà responsabile solo per i danni diretti subiti da voi e solo fino all'ammontare massimo pari al prezzo d'acquisto del prodotto.

Questa Garanzia limitata non garantisce il funzionamento ininterrotto e privo di errori del prodotto ovvero copre l'usura normale del prodotto e i costi relativi alla rimozione, all'installazione o alla risoluzione dei problemi dei sistemi elettrici del cliente. Questa garanzia non si applica e Xantrex non sarà responsabile per difetti o danni del prodotto se:

- a) il prodotto è stato utilizzato in modo improprio, trascurato, installato non correttamente, fisicamente danneggiato o alterato internamente o esternamente, oppure danneggiato per uso improprio o per uso in ambiente non adeguato;
- b) il prodotto è stato sottoposto a fuoco, acqua, corrosione generalizzata, infestazioni biologiche o tensione in ingresso che hanno causato condizioni operative al di fuori dei limiti massimo e minimo indicati nelle specifiche del prodotto Xantrex

- inclusa la tensione in ingresso prodotta da generatori e da fulmini;
- c) sono state effettuate riparazioni del prodotto da parte di personale non appartenente a Xantrex o ai relativi Centri di assistenza autorizzati;
  - d) il prodotto è stato utilizzato come componente di un altro prodotto espressamente garantito da un altro produttore;
  - e) i contrassegni di identificazione originali del prodotto (marchio e numero di serie) sono stati cancellati, alterati o rimossi;
  - f) il prodotto, qualora esso si trovi al di fuori del paese dove è stato acquistato; e
  - g) qualsiasi svantaggio attribuibile alla perdita di alimentazione del prodotto, risultante sia da un errato funzionamento del prodotto che da errata installazione o uso improprio.

## Dichiarazione di responsabilità limitata

### Prodotto

QUESTA GARANZIA È L'UNICA ED ESCLUSIVA GARANZIA FORNITA DA XANTREX RELATIVAMENTE AL PRODOTTO XANTREX E, DOVE PERMESSO DALLA LEGGE, SOSTITUISCE QUALSIASI ALTRA GARANZIA, CONDIZIONE, DICHIARAZIONE O OBBLIGO E QUALSIASI ALTRA RESPONSABILITÀ, ESPRESSA O IMPLICITA, DI LEGGE O DIVERSA RELATIVA AL PRODOTTO, DERIVANTE DA QUALSIASI FONTE (CONTRATTO, COLPA, NEGLIGENZA, PRINCIPI DI RESPONSABILITÀ DEL PRODUTTORE, LEGGE, CONDOTTA, DICHIARAZIONE O DIVERSA), INCLUSA, IN VIA ESEMPLIFICATIVA, OGNI GARANZIA IMPLICITA O CONDIZIONE DI QUALITÀ, COMMERCIALIZZABILITÀ O ADEGUATEZZA PER UNO SCOPO SPECIFICO. OGNI GARANZIA IMPLICITA DI COMMERCIALIZZABILITÀ O ADEGUATEZZA A UNO SCOPO SPECIFICO NEI LIMITI RICHIESTI DALLA LEGGE APPLICABILE È LIMITATA ALLA DURATA DEL PERIODO STABILITO DA QUESTA GARANZIA LIMITATA.

IN NESSUN CASO XANTREX SARÀ RITENUTA RESPONSABILE PER: (a) XANTREX NON SARÀ RITENUTA IN ALCUN CASO RESPONSABILE PER DANNI SPECIALI, INDIRETTI, INCIDENTALI O CONSEGUENZIALI, INCLUSE, IN VIA ESEMPLIFICATIVA, PERDITE ECONOMICHE DI QUALSIASI TIPO, ANCHE SE XANTREX È STATA AVVISATA, O AVEVA MOTIVO DI CONOSCERE, LA POSSIBILITÀ DI TALI DANNI, (b) QUALSIASI RESPONSABILITÀ RISULTANTE DA TORTO, DETERMINATA O MENO DA NEGLIGENZA DI XANTREX, E PERDITE O DANNI ALLA PROPRIETÀ, LESIONI PERSONALI, DANNI ECONOMICI, O DANNI CAUSATI DAL COLLEGAMENTO DI UN PRODOTTO A QUALSIASI ALTRO PRODOTTO O SISTEMA E (C) DANNI O LESIONI DERIVANTI DA USO IMPROPRIO O ABUSO, INSTALLAZIONE,, INTEGRAZIONE O FUNZIONAMENTO DEL PRODOTTO NON CORRETTI.

SE SI APPARTIENE ALLA CATEGORIA DI CONSUMATORE (PIUTTOSTO CHE DI ACQUIRENTI DEL PRODOTTO NEL CORSO DI ATTIVITÀ COMMERCIALE) E SI È ACQUISTATO IL PRODOTTO IN UNO STATO MEMBRO DELL'UNIONE EUROPEA, QUESTA GARANZIA LIMITATA SARÀ SOGGETTA AI DIRITTI STATUTARI DEL CONSUMATORE, IN OTTEMPERANZA ALLA DIRETTIVA 1999/44/CE SULLA GARANZIA DEL PRODOTTO NELL'UNIONE EUROPEA, E A COME TALE DIRETTIVA È STATA ATTUATA NELLO STATO MEMBRO DELL'UNIONE EUROPEA DOVE È STATO ACQUISTATO IL PRODOTTO. INOLTRE, LADDOVE LA PRESENTE GARANZIA LIMITATA VI ASSEGNA SPECIFICI DIRITTI GIURIDICI, È POSSIBILE GODERE DI ALTRI DIRITTI CHE POSSONO VARIARE DA STATO MEMBRO UE A STATO MEMBRO UE, OPPURE, SE IL PRODOTTO NON È STATO ACQUISTATO IN UNO STATO MEMBRO UE, DEL PAESE IN CUI SI È ACQUISTATO IL PRODOTTO, E CHE POSSONO VARIARE DA PAESE A PAESE E DA GIURISDIZIONE A GIURISDIZIONE.

### Criteri di autorizzazione per la restituzione del materiale

Prima di restituire un prodotto direttamente a Xantrex è necessario ottenere un numero RMA (Return Material Authorization) per l'autorizzazione alla restituzione del materiale e l'indirizzo corretto per la spedizione. Sarà inoltre necessario pagare anticipatamente le spese di spedizione dei prodotti inviati. I prodotti inviati verranno rifiutati e rispediti a spese dell'utente se non sono autorizzati, se vengono restituiti senza un numero RMA chiaramente indicato sull'esterno della confezione di spedizione, se vengono inviati a carico del destinatario o all'indirizzo errato.

Quando si contatta Xantrex per ottenere assistenza è necessario disporre del manuale di istruzioni per riferimento ed essere in grado di fornire:

- Il numero di serie del prodotto.
- Informazioni sull'installazione e sull'utilizzo dell'unità.
- Informazioni sul problema e/o sulla causa della restituzione.
- Una copia della prova di acquisto completa di data.

Registrare queste informazioni.

### Procedura di restituzione

Imballare l'unità in modo sicuro, preferibilmente utilizzando l'imballo originale. Accertarsi che il prodotto spedito sia completamente inserito all'interno dell'imballo originale o di un imballo equivalente. Questa garanzia non verrà applicata se il prodotto risulta danneggiato a causa di un imballo improprio.

Includere quanto segue:

- Il numero RMA fornito da Xantrex Technology, Inc. chiaramente indicato sull'esterno della confezione.
- Un indirizzo di restituzione a cui inviare l'unità. Non sono accettabili caselle postali.
- Un numero di telefono di contatto in cui l'utente sia raggiungibile durante le ore lavorative.
- Una breve descrizione del problema.

Inviare l'unità con spese di spedizione prepagate all'indirizzo fornito dal rappresentante locale dell'assistenza clienti Xantrex.

**Se si restituisce un prodotto da fuori degli Stati Uniti o del Canada:** oltre a quanto precedentemente indicato, è NECESSARIO includere fondi per le spese di trasporto per la restituzione. L'utente è totalmente responsabile di tutti i documenti, dazi, tariffe e depositi.

**Se si restituisce un prodotto a un Centro di assistenza autorizzato Xantrex:** non è richiesto un numero RMA di autorizzazione alla restituzione del materiale. È tuttavia necessario contattare il Centro di assistenza autorizzato prima di restituire il prodotto o di presentare l'unità per verificare la procedura di restituzione eventualmente richieste dalla struttura specifica e per verificare che l'ASC ripari effettivamente questo particolare prodotto Xantrex.

### **Assistenza fuori garanzia**

Se il periodo di garanzia del prodotto è scaduto, se l'unità è stata danneggiata a causa di uso improprio o installazione non corretta, se non sono state rispettate altre condizioni della garanzia o se non è disponibile una prova di acquisto completa di data, l'unità può essere riparata o sostituita contro il pagamento di una tariffa limitata.

Per restituire il prodotto per assistenza fuori garanzia, contattare l'assistenza clienti Xantrex per ottenere un numero RMA e seguire la procedura riportata a "Procedura per la restituzione".

Le opzioni di pagamento quali carta di credito o vaglia postale verranno illustrate dal rappresentante dell'assistenza clienti. Nei casi in cui la tariffa minima non è applicabile, ad esempio in caso di unità incompleta o di danni eccessivi, verrà addebitata una tariffa aggiuntiva. Alla ricezione dell'unità, l'utente verrà contattato dall'assistenza clienti, se applicabile.

