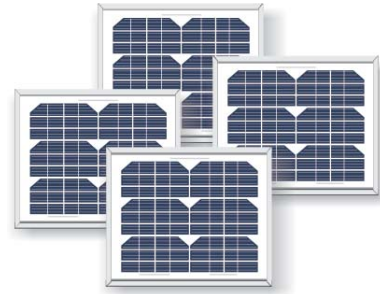


SOLAR MODULES

STP010S-12/Kb

STP012S-12/Kb
STP008S-12/Kb
STP006S-12/Kb



Specifications

Cell	Monocrystalline silicon solar cells 78mm×26mm
No. of cells and connections	36 (4×9)
Dimension of module(mm)	310×368×18
Weight	1.5kg

Characteristics

Model	STP012S-12/Kb	STP010S-12/Kb	STP008S-12/Kb	STP006S-12/Kb
Open circuit voltage (Voc)	21.9V	21.6V	21.4V	21V
Optimum operating voltage(Vmp)	17.6 V	17.2 V	16.8 V	16.6 V
Short circuit current(Isc)	0.70A	0.66A	0.54A	0.42A
Optimum operating current(Imp)	0.68A	0.58A	0.48A	0.36A
Maximum power at STC(Pm)	12Wp	10Wp	8Wp	6Wp

STC: Irradiance 1000W/m², Module temperature 25°C, AM=1.5

Limits

Operating temperature	-40 to +85°C
Maximum system voltage	715 V DC

Temperature and Coefficients

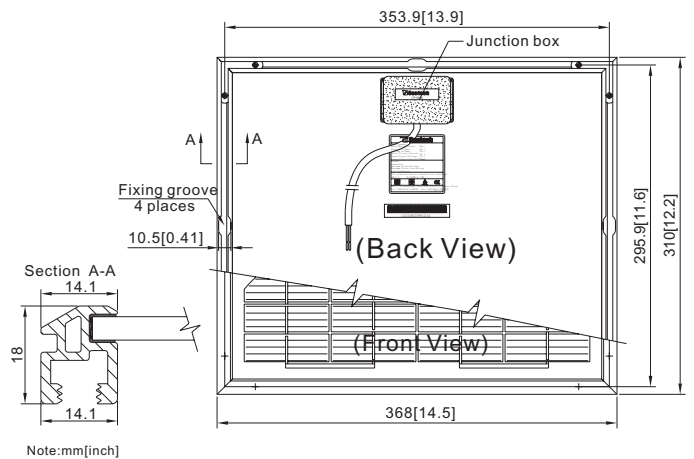
NOCT	48°C ± 2°C	
Current temperature coefficient	%/K	0.06 ± 0.01
Voltage temperature coefficient	mV/K	-(155 ± 10)
Power temperature coefficient	%/K	-(0.5 ± 0.05)

NOCT: Nominal Operation Cell Temperature

Output

Type of output terminal	Junction box
Cable	YUSHENG
Lengths	500mm

Blueprint of the module



Characteristics

