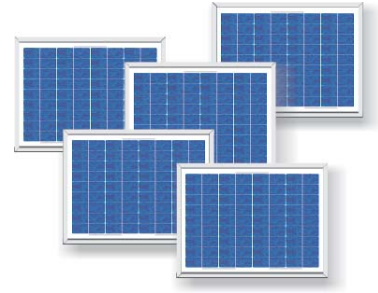


## SOLAR MODULES

# STP005-12/Db

STP006-12/Db  
STP004-12/Db  
STP003-12/Db



### Specifications

Cell	Multicrystalline silicon solar cells 62.5mm×15.62mm
No. of cells and connections	36 (4×9)
Dimension of module(mm)	216×306×18
Weight	0.8 kg

### Characteristics

Model	STP006-12/Db	STP005-12/Db	STP004-12/Db	STP003-12/Db
Open circuit voltage (Voc)	21.4V	21.4V	21V	21V
Optimum operating voltage(Vmp)	16.8 V	16.8 V	16.6 V	16.6 V
Short circuit current(Isc)	0.38A	0.32A	0.27A	0.21A
Optimum operating current(Imp)	0.36A	0.3A	0.24A	0.18A
Maximum power at STC(Pm)	6Wp	5Wp	4Wp	3Wp

STC:Irradiance 1000W/m<sup>2</sup>,Module temperature 25°C,AM=1.5

### Limits

Operating temperature	-40 to +85°C
Maximum system voltage	715 V DC

### Temperature and Coefficients

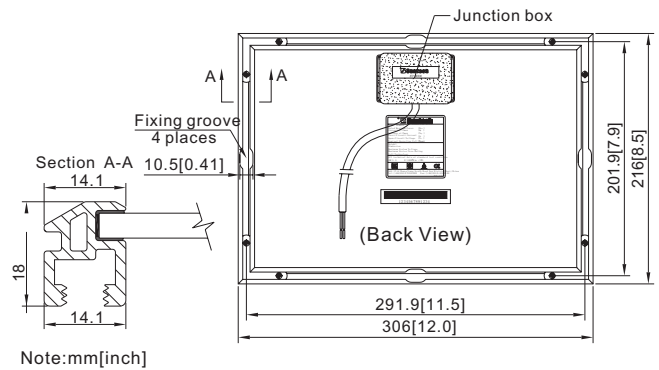
NOCT	48°C±2°C	
Current temperature coefficient	%/K	0.06 ± 0.01
Voltage temperature coefficient	mV/K	-(155 ± 10)
Power temperature coefficient	%/K	-(0.5 ± 0.05)

NOCT: Nominal Operation Cell Temperature

### Output

Type of output terminal	Junction box
Cable	YUSHENG
Lengths	500mm

### Blueprint of the module



### Characteristics

