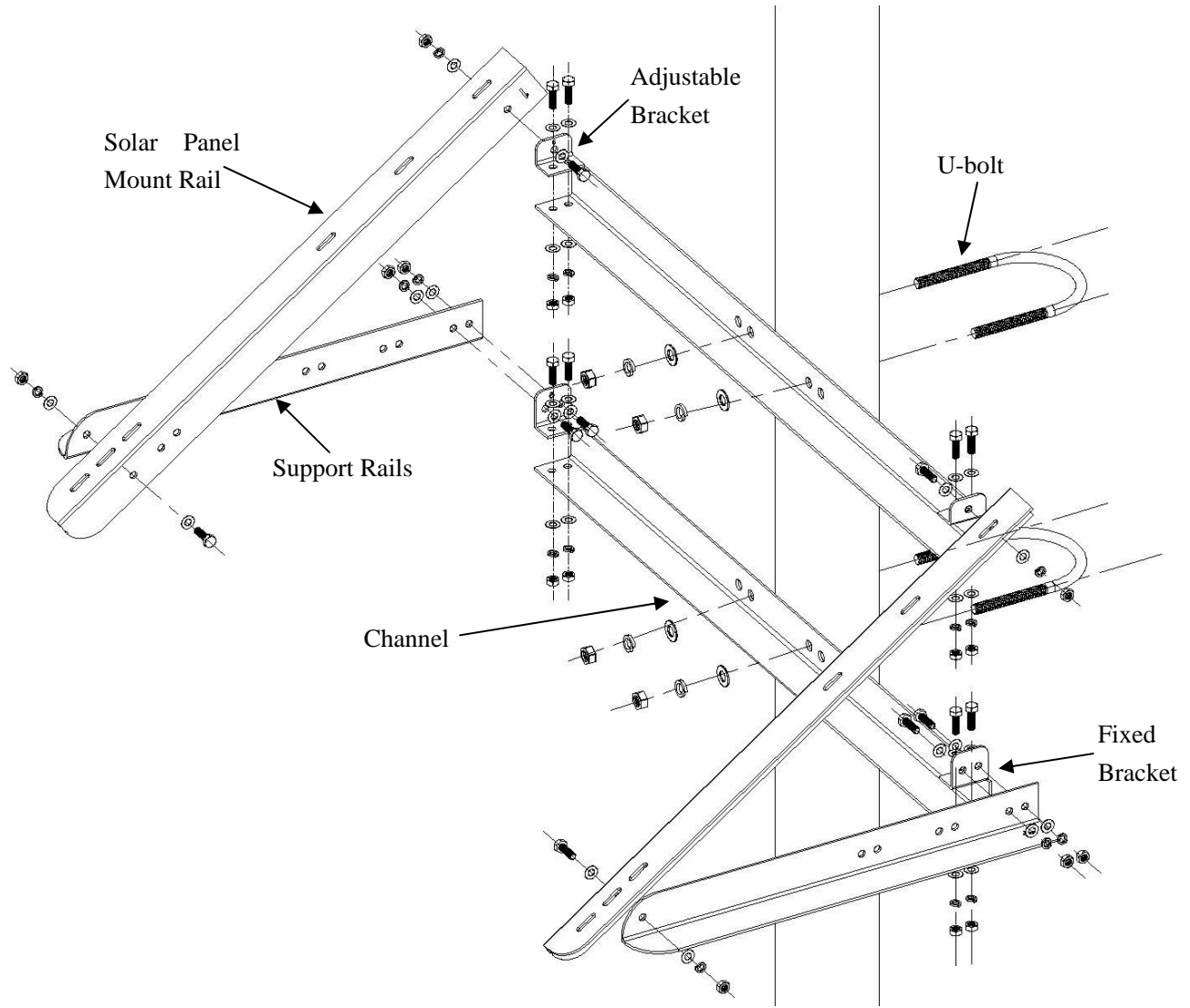


Solartech Power Universal Side-of-Pole Mount Installation Guide



Component List

Part	Qty	ID code
Solar Panel Mount Rail	2	1,3
Channel	2	7, 8
Support Rails	2	2,4
Adjustable Bracket	2	5
Fixed Bracket	2	6
U-bolt for \varnothing 4' pole	2	
M12 hex-cap bolt for U-bolt	4	
M12 flat washer for U-bolt	4	
M12 split lock washer for U-bolt	4	
M12 hex nut for U-bolt	4	
M10 hex-cap bolt	16	
M10 flat washer	16	
M10 split lock washer	16	
M10 hex nut	16	

Step 1 - Choose appropriate angle for your panel

Confirm appropriate angle according our **Best Angle for Your Solar Panel.**

There are 9 different angles through the various permutations between support rail and panel rail holes. You can check best angel for you from RIGHT form.

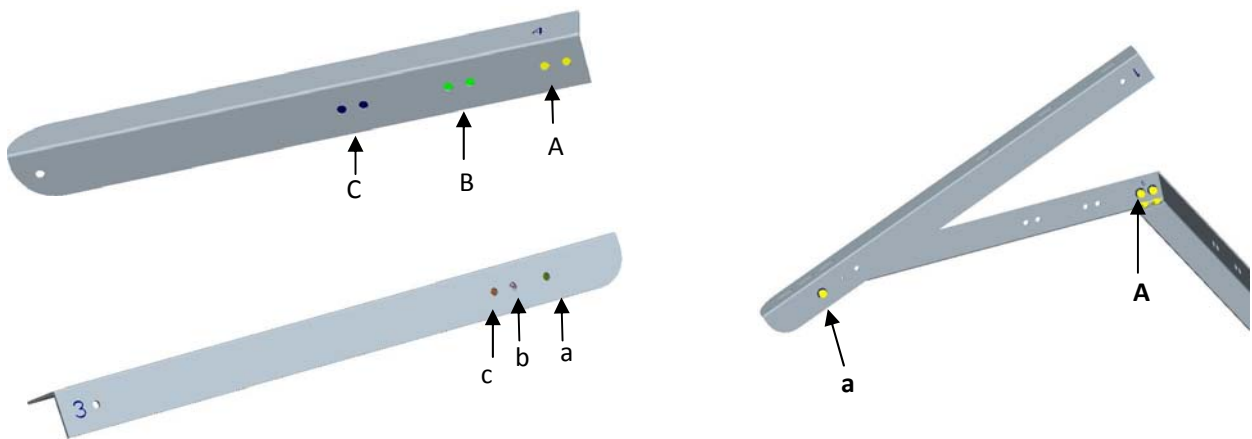
Adjust the panel angle as desired, by:

- ◆ Moving the lower channel up or down
- ◆ Changing the hole location where the support rail connects to the panel rail.

	a	b	c
A	21°C	27°C	34.5°C
B	40.5°C	43.5°C	48°C
C	55°C	57°C	60°C

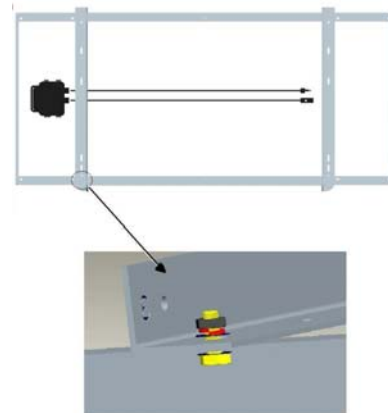
For example below, if the support rail (hole location **A**) connects to the panel rail (hole location **a**), then the angel is 21°C.

The rest may be deduced by analogy

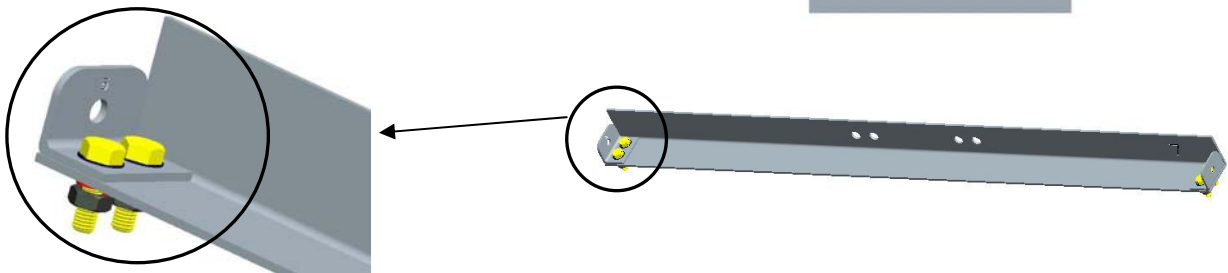


Step 2 - mounting the rail supports on the PV module

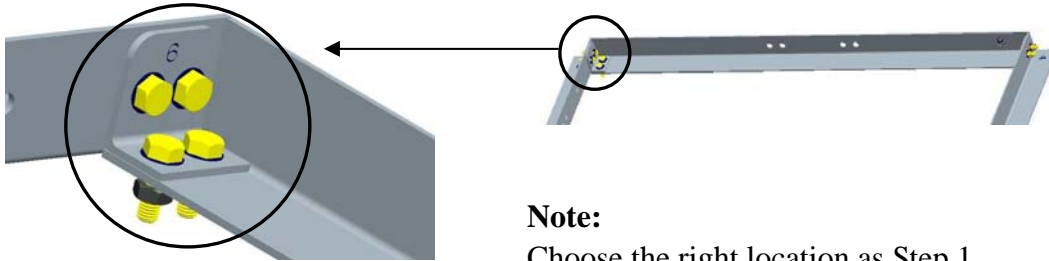
Lay the PV module face down on a protected surfaced and attach Solar Panel Mount Rail and finger tighten.



Step 3 - attaching the adjustable bracket to the top channels and finger tighten.



Step 4 Attaching the fixed bracket to the bottom channels, then bolt one end of support rail (with optional hole location) to the corresponding fixed bracket, and finger tighten.

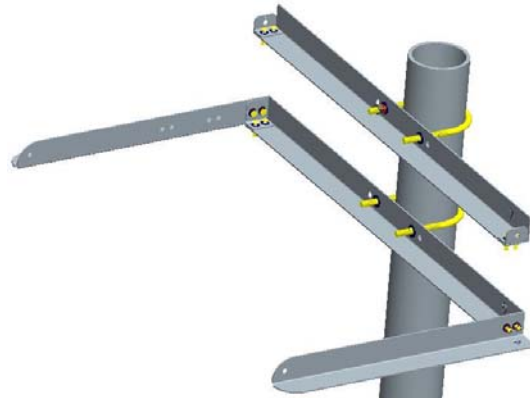


Note:
Choose the right location as Step 1

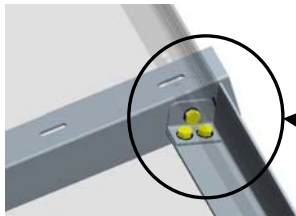
Step 5 - attaching the channels to the pole

TIP:

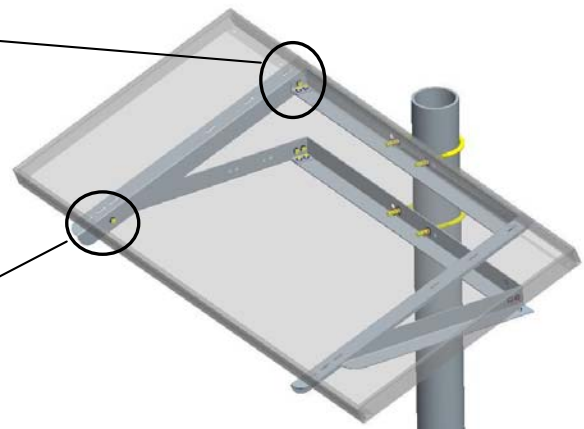
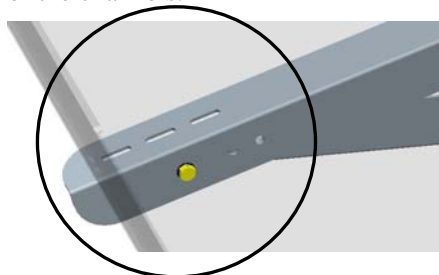
Lock the top channels on pole, left bottom channel slack, so you can adjust the angle easily



Step 6 - mounting the PV assembly on the pole



Place the PV module assembly so the holes on the adjustable bracket line up with holes in the inside of the channels.



Bolt the other end of support rail to the corresponding solar panel mount rail

Note:

Choose the right location as Step 1

Best Angle for Your Solar Panel

State	latitude	longitude
Alabama	32° 31' N	86° 51' W
Alaska	63° 40' N	154° W
Arizona	34° 20' N	111° 3' W
Arkansas	35° N	91° 41' W
California	36° 70' N	119° 8' W
Colorado	39° 5' N	105° 52' W
Connecticut	41° 6' N	73° 11' W
Delaware	38° 09' N	75° 52' W
Florida	27° 6' N	81° 21' W
Georgia	32° 2' N	82° 9' w
Hawaii	19° 9' N	155° 55' w
Idaho	44° 6' N	114° W to 117° W
Illinois	40° 6' N to 42° 30' N	89° 39' W
Indiana	40° 5' N	85° 6' W
Iowa	41° 8' N	93° 48' W
Kansas	39° 02' N	98° 15' W
Kentucky	37° 80' N	84° 3' W
Louisiana	31° 17' N	92° 27' W
Maine	45° 25' N	69° 48' W
Maryland	39° 58' N	76° 30' W
Massachusetts	42° 29' N	71° 27' W
Michigan	42° 57' N	85° 29' W
Minnesota	43° 39' N	93° 21' W
Mississippi	32° 35' N	89° 37' W
Missouri	37° 9' N	91° 8' W
Montana	46° 8' N	110° 2' W
Nebraska	42° 22' N	99° 30' W
Nevada	39° 10' N	119° 46' W
New Hampshire	44° 03' N	71° 02' W
New Jersey	39° 38' N	74° 46' W
New mexico	32° 54' N	105° 57' W
New York	40° 7' N	74° W
North carolina	35° 42' N	79° 48' W
North Dakota	47° 55' N	101° W

Best Angle for Your Solar Panel

State	latitude	longitude
Ohio	41° 03' N	81° 31' W
Oklahoma	35° N	97° 29' W
Oregon	44° 38' N	123° 07' W
Pennsylvania	40° 36' N	75° 28' W
Rhode Island	41° 30' N	71° 20' W
South carolina	34° 30' N	82° 29' W
South Dakota	45° 27' N	98° 26' W
Tennessee	35° 26' N	84° 35' W
Texas	31° 30' N	99° 31' W
Utah	39° 30' N	111° W
Vermont	44° 12' N	72° 31' W
Virginia	38° 47' N	77° 05' W
Washington	38° 9' N	77° 57' W
West Virginia	38° 5' N to 40° 40' N	80° 40' W
Wisconsin	44° 16' N	88° 24' W
Wyoming	42° 54' N	106° 29' W