

SPM005P

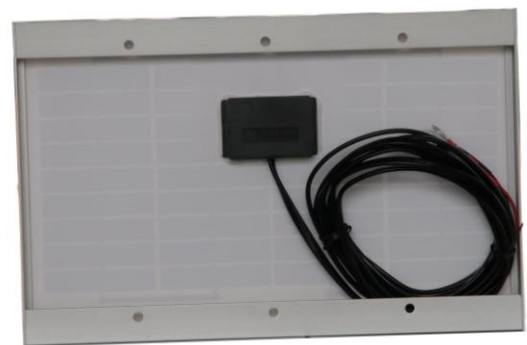
FEATURE:

- IEC61215, TUV certification
- UL 1703 certification
- Using high efficiency 6" Multicrystalline cells.
- Using low iron tempered glass and an EVA pottant with PET back sheet to encapsulated cells.
- Anodized aluminum frame protected structural strength.
- 10 years limited warranty of 90% power output and 25 years limited warranty of 80% power output.



High-efficiency, High-Quality Multicrystalline Photovoltaic Module

SOLARTECH POWER manufactures clean, elegant and durable modules with advanced industry-leading performance for different electrical power requirements. It is designed and built to deliver highest efficiency and reliable power for on-grid residential and commercial systems worldwide.



Solartech 5Watt panels could applied in Electrification of villages in remote areas, Power source for summer vacation homes, Emergency communication systems, Microwave/radio repeater stations ,etc.

UL No.:E309468 TUV No.:0000022551 IEC No.:C1-ASN07001



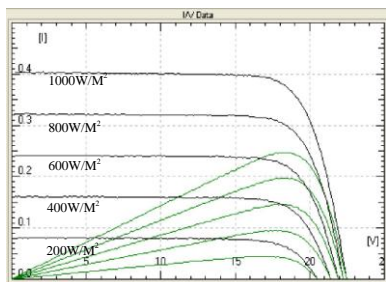
ELECTRICAL CHARACTERISTICS			
	SPM006P	SPM005P	SPM004P
Power at STC(P _m)	6W	5W	4W
Maximum power voltage(V _{pm})	17.3V	17.1V	16.2V
Maximum power current(I _{pm})	0.35A	0.29A	0.24A
Open circuit voltage(V _{oc})	21.8V	21.7V	21
Short circuit current(I _{sc})	0.38A	0.31A	0.28
Tolerance	±5%	±5%	±5%
Module efficiency	7.7%	6.4%	5.1%
Standard test conditions	Temperature 25°C, Irradiance 1000W/m ² , AM=1.5		
Maximum system voltage	1000V DC	Series fuse rating	10A
Temperature coefficient	I _{sc} :0.05%/K	V _{oc} :-0.36%/K	P _{max} :-0.46%/K

Specifications	
Cell	Multicrystalline silicon solar cell, (78mmx15.6mm)
No. of cell and connection	36 (4x9)
Dimension	350mm (13.8in) x224mm(8.82in)x25mm(0.98in)
Weight	1.3KG

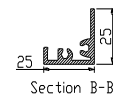
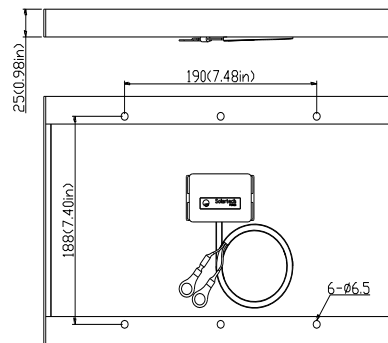
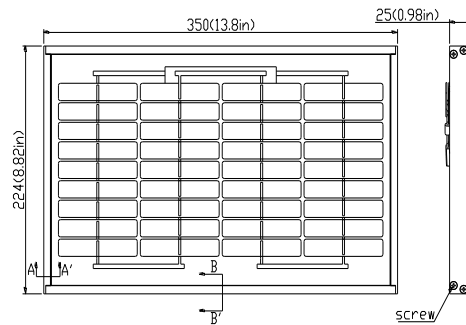
AMBIENT CONDITIONS	
Operating Temperature	-40°C to +85°C
Storage Humidity	<90%

OUT PUT	
Type of output terminal	Junction box (One diode two terminals)
Cable	Length 3000mm

IV CURVES



OUTLINE DIMENSIONS



UL No.:E309468 TUV No.:000022551 IEC No.:C1-ASN7001

