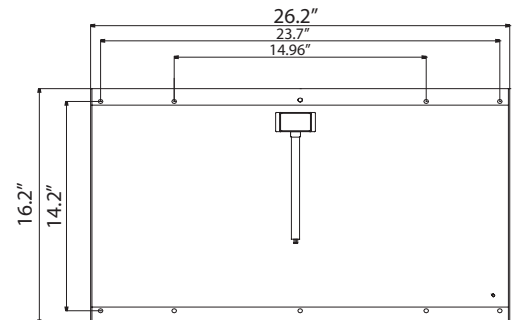
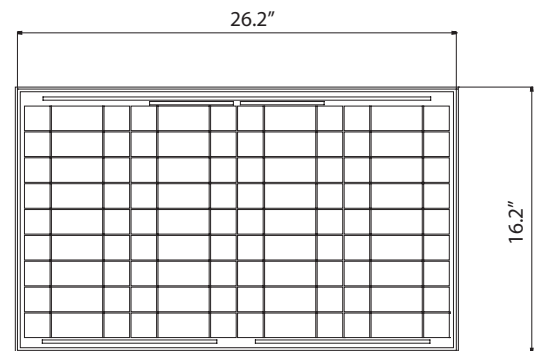


**30 Watt Module**



### General Information

- High performance multi-crystalline cells
- High energy yields in a wide variety of climates
- Anodized aluminum frame provides for easy mounting

### Qualification and Certificates

- UL Listing Pending

<b>Electrical Characteristics</b>		
Typical Data At STC		
Rated Power	Pr	30W
Peak Power	Pmpp	30W
Peak Power Voltage	Vmpp	18.0V
Peak Power Current	Impp	1.67A
Open Circuit Voltage	Voc	22.1V
Short Circuit Current	Isc	1.80A

The performance of the solar cells is measured at Standard Test Conditions (STC): 1000 W/m<sup>2</sup> irradiance, AM 1.5 spectrum and 25° C cell temperature.

<b>Physical Characteristics</b>		
Length	Inches (mm)	26.2 (666)
Width	Inches (mm)	16.2 (412)
Thickness	Inches (mm)	1.31 (33)

<b>Cable Type</b>		
Cable Length	feet (cm)	15.0 (457.2)

5 Year Warranty