

VLS-S

Value Line Series

Value Line Series (VLS) Solar Modules

The Value Line Series (VLS) family of solar modules, offered by Ameresco Solar, is a reliable, rugged, and economical panel engineered for off-grid solar applications. The VLS-S line is designed and manufactured with quality materials and is available in 50, 80, 100, and 150W.

Electrical Characteristics

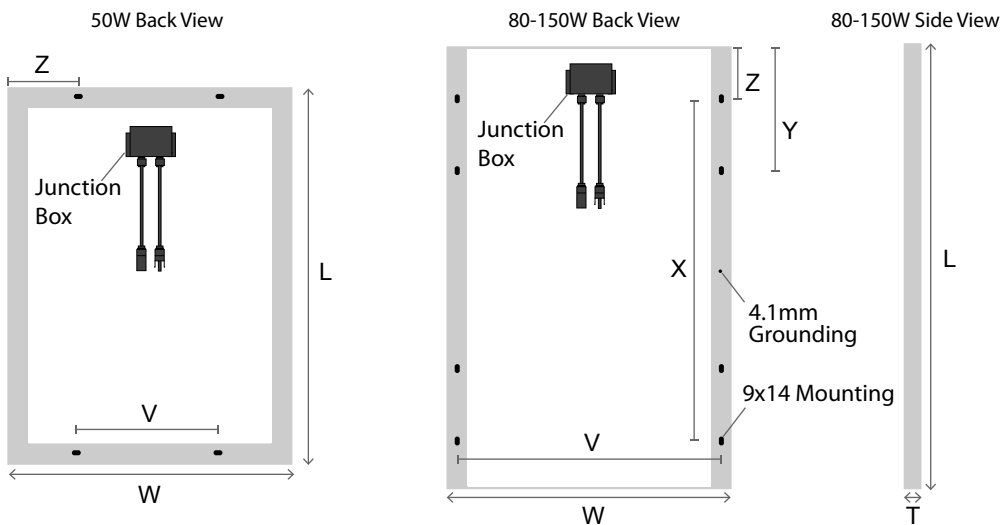
Model Number	VLSII-50	VLSII-80	VLSII-100	VLSII-150
Maximum Power (Pmax)	50W	80W	100W	150W
Optimum Operating Voltage (Vmp)	19.50	20.30	19.30	18.40
Optimum Operating Current (Imp)	2.56	3.94	5.18	8.17
Open Circuit Voltage (Voc)	24.94	25.96	22.90	21.80
Short Circuit Voltage (Isc)	2.75	4.23	5.56	8.71
Nominal Voltage (V)	12	12	12	12

Mechanical Characteristics

Module Dimensions (L x W x T) mm(in)	670x530x30 (26.4x20.9x1.2)	850x670x30 (33.5x26.4x1.2)	1200x550x35 (47.2x21.7x1.4)	1480x670x35 (58.3x26.4x1.4)
Weight (kg/lbs)	4.6/10.14	7.0/15.43	8.0/17.64	11.5/25.35
Cell Arrangement	36 (9x4)	40 (10x4)	36 (9x4)	36 (9x4)
Mounting Holes (Z) mm(in)	160(6.30)	165(6.50)	140(5.51)	90(3.54)
Mounting Holes (Y) mm(in)	NA	NA	390(15.35)	340(13.39)
Mounting Holes (X) mm(in)	350(13.78)	520(20.47)	920(36.22)	1300(51.18)
Mounting Holes (V) mm(in)	NA	NA	NA	NA

Values at Standard Test Conditions (STC): 1000W/m2 irradiance, AM 1.5 solar spectrum and 25°C module temperature

Mounting Details



Diagrams may not be proportionate are intended for illustrative purposes only. 09/28/15

Other Information

- Junction Box: IP65 Type IV with 2 bypass diodes, MC4 type plug, TÜV certified
- Cell Type: Mono/Poly crystalline silicon
- Back Cover: White polyester
- Frame: Aluminum
- Cable: 1000mm double XLPE layer, TÜV certified, 4.0mm²