



SOLARTECH
POWER, INC.

SolarTech Power, Inc.

www.solartechpower.com
sales@solartechpower.com

1070 N. Kraemer Pl
Anaheim, CA 92806
Tel: 714-237-7503
Toll Free: 800-966-5018
Fax: 714-237-7501

Universal Top-of-Pole Mount MC120S-6 Installation Guide



For	# of modules
For Solartech Modules	6PCS 100W,120W,130W
For UL-SOLAR Modules	6PCS 100W,120W,130W
For BP Modules	6PCS 120W
For SHARP Modules	6PCS 130W
For KYOECERA Modules	6PCS 130W

Component List			
Part	Qty	ID code	
Solar Panel Mount Rail	6	(1)	
Support Rails	6	(2)	
Cross pipe 4'	1	(3)	
cushion block	6	(4)	
guide rail	1	(5)	
M16 Hex Bolt for Cross pipe	3	Bag 1	
M8 right angle U-bolt	6	Bag 2	
M8 hex-cap bolt for U-bolt	12		
M8 flat washer for U-bolt	12		
M8 split lock washer for U-bolt	12		
M10 hex-cap bolt	12	Bag 3	
M10 flat washer	24		
M10 split lock washer	12		
M10 hex nut	12		
M6 hex-cap bolt	24	Bag 4	
M6 flat washer	48		
M6 split lock washer	24		
M6 hex nut	24		

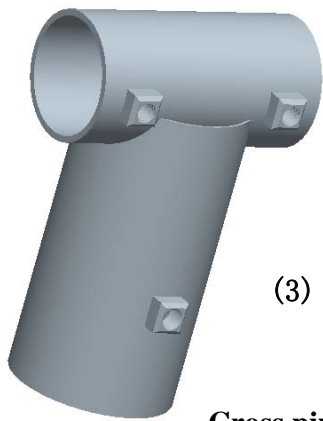


SOLARTECH
POWER, INC.

SolarTech Power, Inc.

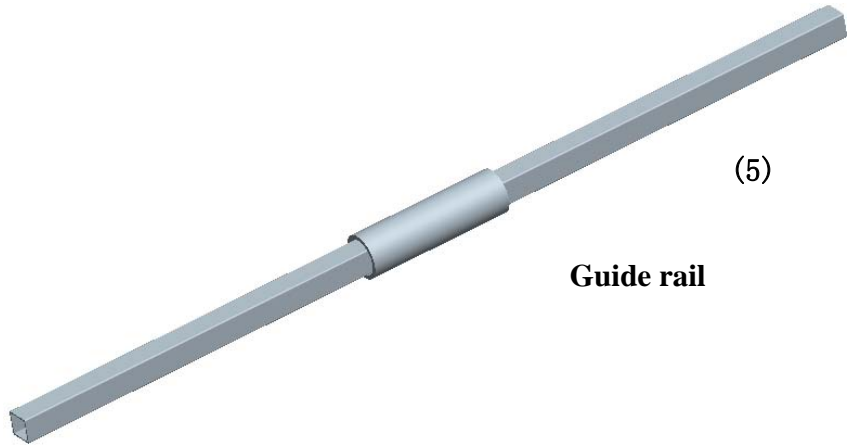
www.solartechpower.com
sales@solartechpower.com

1070 N. Kraemer Pl
Anaheim, CA 92806
Tel: 714-237-7503
Toll Free: 800-966-5018
Fax: 714-237-7501



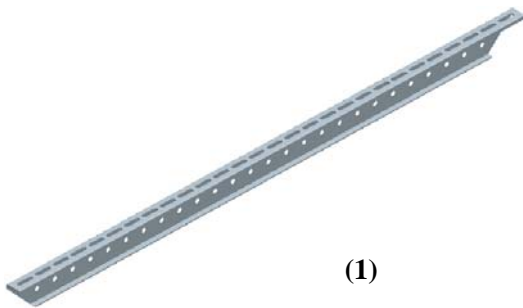
(3)

Cross pipe



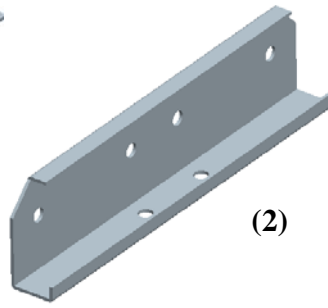
(5)

Guide rail



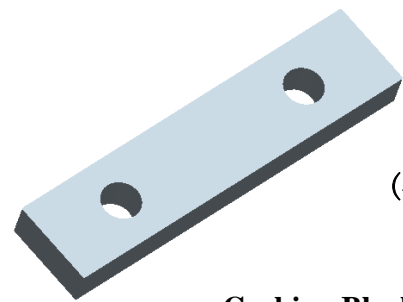
(1)

Solar Panel Mount Rail x 6



(2)

Support Rail x 6

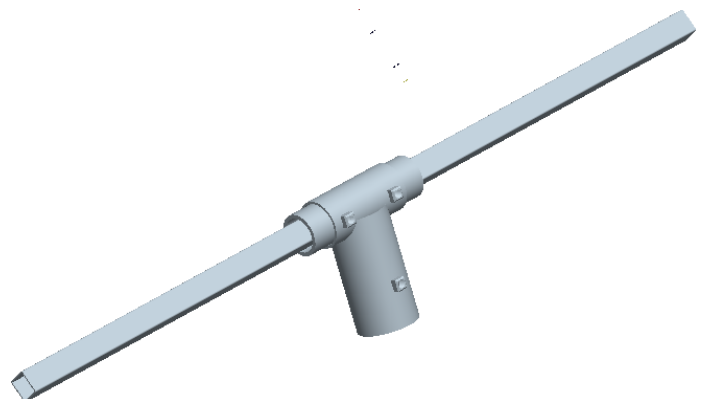
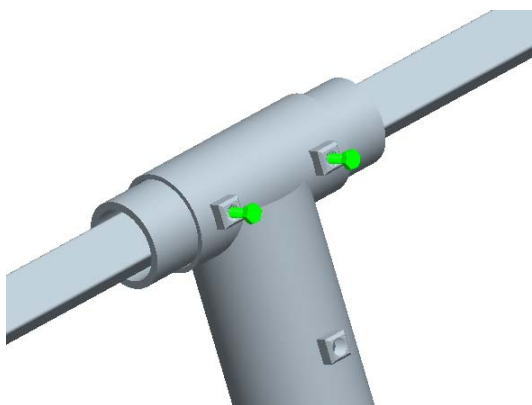


(4)

Cushion Block x 6

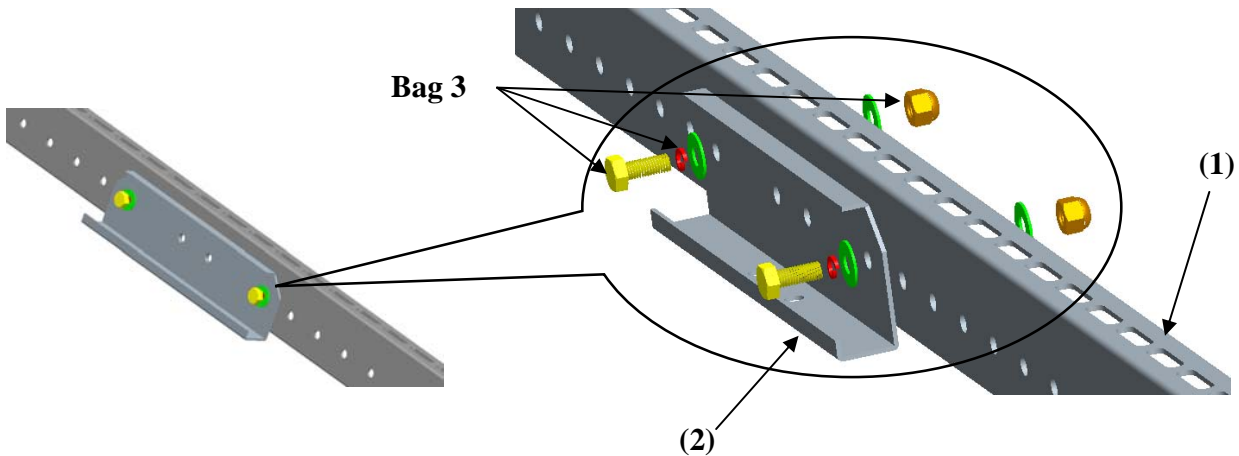
Install step:

1. Put the guide rail (5) through 4" cross pipe (3), make sure both sides are equally spaced. Tighten the guide rail (5) with 2 x M16 Hex Bolts on the 4" cross pipe location as shown in the picture (top two holes).

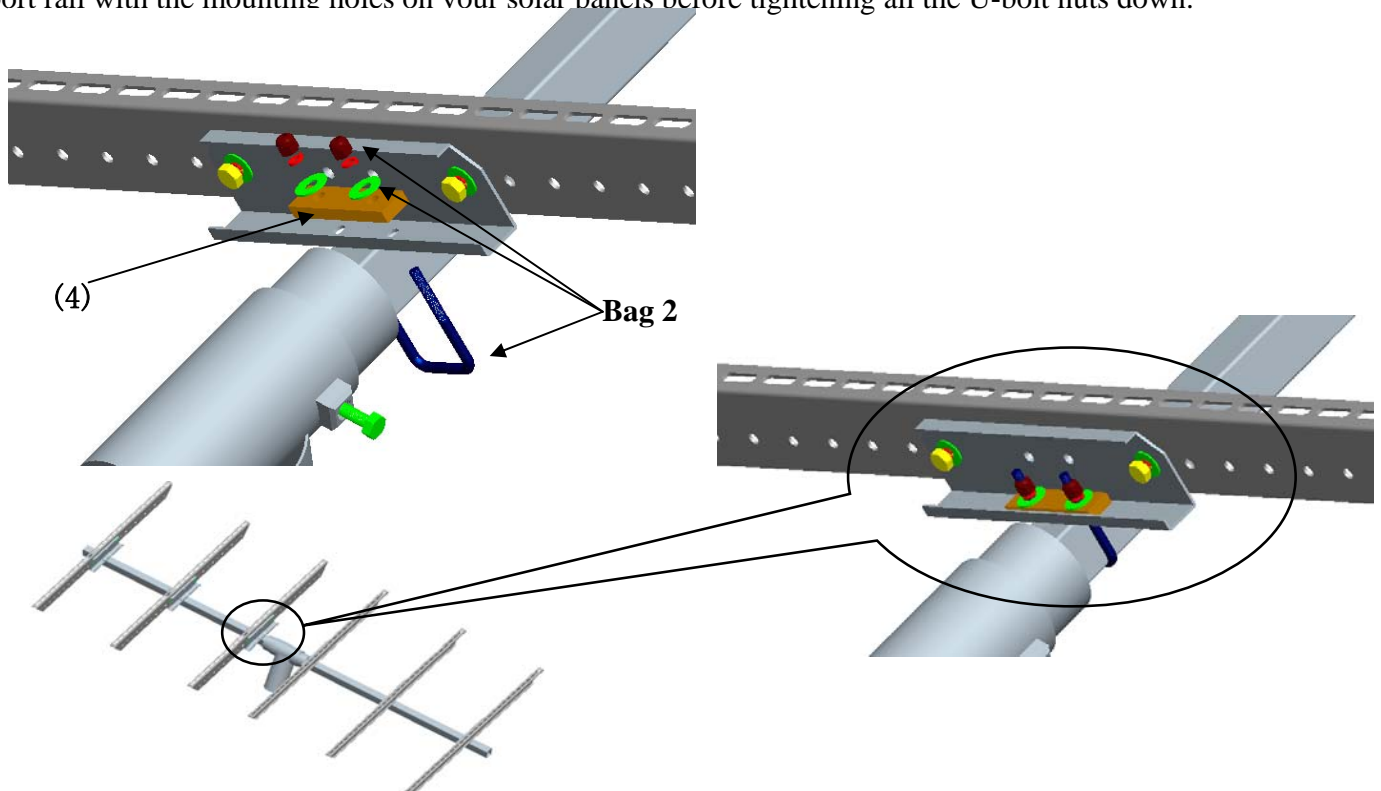




- 2.** Assemble 6 units of the Solar Panel mounting Support rail by attaching the Solar mount rail (1) and support rail (2) using the 2 x M10 Hex-cap Bolts, 4 x M10 Flat Washers, 2 x M10 Nuts, and 2 x M10 Split lock washers as shown in the diagram.



- 3:** Assemble 6 Solar Support Mounting Rails on the Guide Rail by attaching the cushion block (4) with assembled Solar Panel Support rails with the M8 right angle U-bolt, 2 x M8 Flat washers for U-bolt, 2 x M8 split lock washers for U-bolt as shown in diagram. Pre-measure the distance of the support rail with the mounting holes on your solar panels before tightening all the U-bolt nuts down.





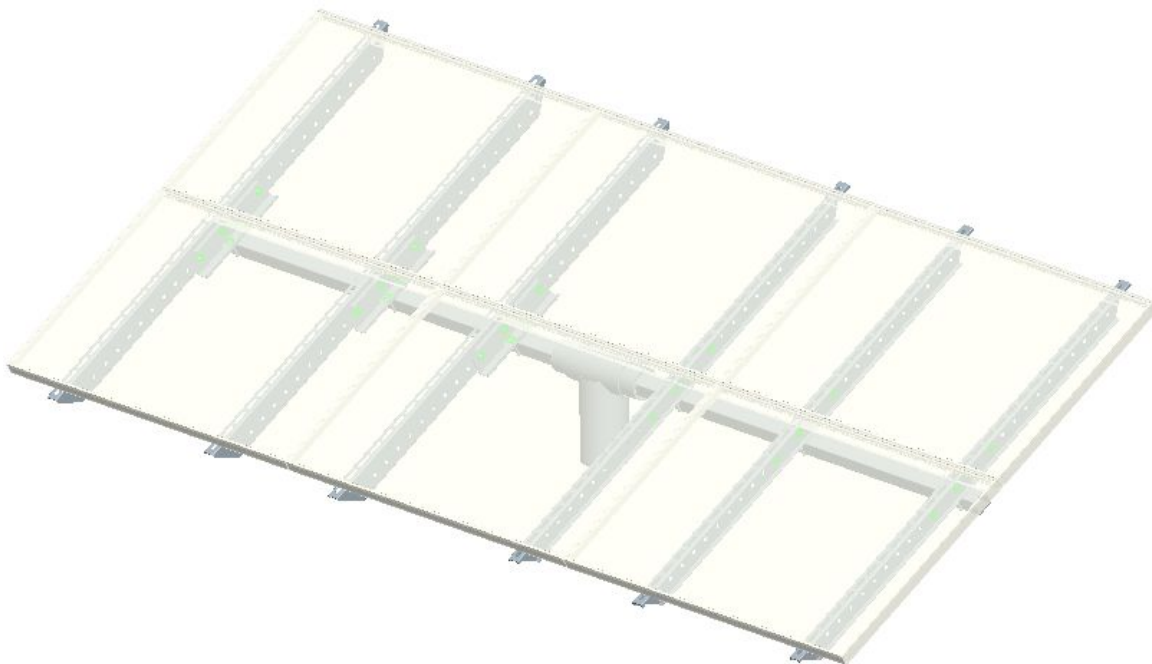
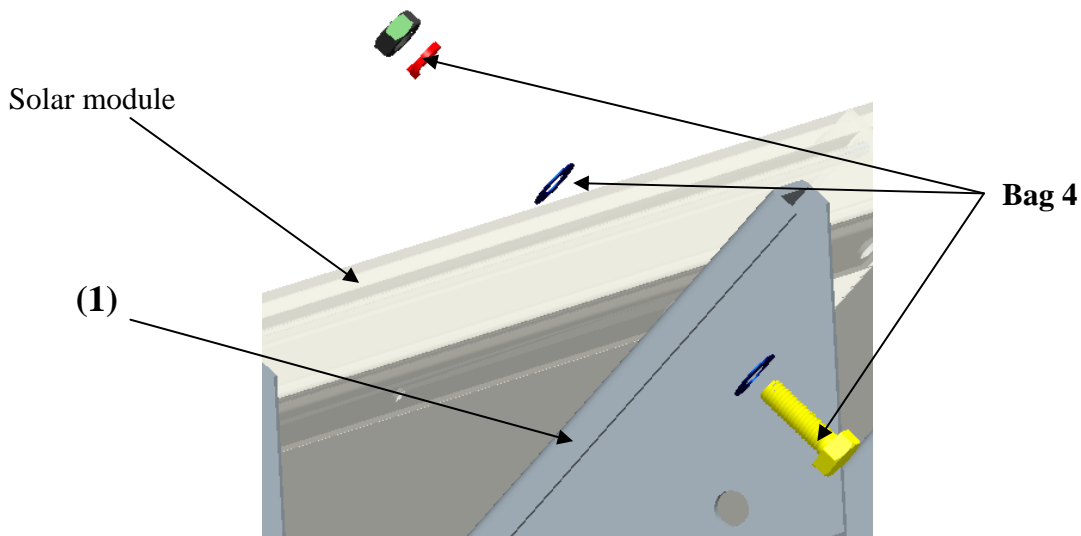
SOLARTECH
POWER, INC.

SolarTech Power, Inc.

www.solartechpower.com
sales@solartechpower.com

1070 N. Kraemer Pl
Anaheim, CA 92806
Tel: 714-237-7503
Toll Free: 800-966-5018
Fax: 714-237-7501

4: Install each of your Solar Panels on the Solar Support Mounting Rails as show in the picture using the 4x M6 hex-cap bolts, 4 x M6 split lock washers, 4 x M6 flat washers, 4 x M6 hex nuts as shown in the diagram.





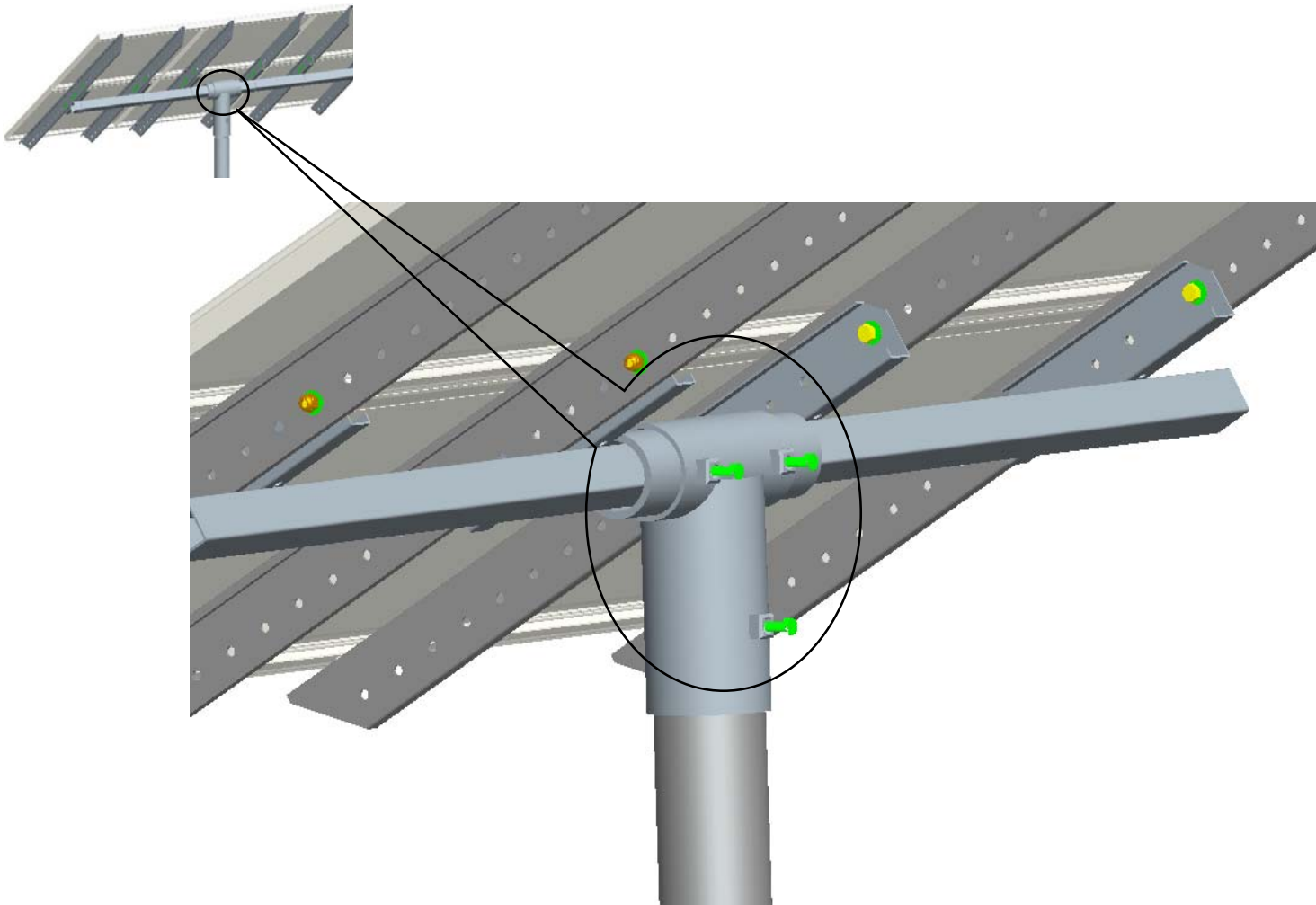
SOLARTECH
POWER, INC.

SolarTech Power, Inc.

www.solartechpower.com
sales@solartechpower.com

1070 N. Kraemer Pl
Anaheim, CA 92806
Tel: 714-237-7503
Toll Free: 800-966-5018
Fax: 714-237-7501

5: Lift the Assembled Solar Mounting and fit the Cross pipe section into your 4" pole adjust the whole unit to face the optimum direction of sun light. Tighten down the Single M16 Nut to prevent the unit from swirling. Then adjust the Angle of the Guide rail to the appropriate degree of incline based on the location of your installation to optimized sun light condition. Tighten down the 2 x M16 Hex bolts after the optimum angle has been reached as shown in the Diagram.





SOLARTECH
POWER, INC.

SolarTech Power, Inc.

www.solartechpower.com
sales@solartechpower.com

1070 N. Kraemer Pl
Anaheim, CA 92806
Tel: 714-237-7503
Toll Free: 800-966-5018
Fax: 714-237-7501

Best Angle for Your Solar Panel

State	latitude	longitude
Alabama	32° 31' N	86° 51' W
Alaska	63° 40' N	154° W
Arizona	34° 20' N	111° 3' W
Arkansas	35° N	91° 41' W
California	36° 70' N	119° 8' W
Colorado	39° 5' N	105° 52' W
Connecticut	41° 6' N	73° 11' W
Delaware	38° 09' N	75° 52' W
Florida	27° 6' N	81° 21' W
Georgia	32° 2' N	82° 9' W
Hawaii	19° 9' N	155° 55' w
Idaho	44° 6' N	114° W
Illinois	40° 6' N	89° 39' W
Indiana	40° 5' N	85° 6' W
Iowa	41° 8' N	93° 48' W
Kansas	39° 02' N	98° 15' W
Kentucky	37° 80' N	84° 3' W
Louisiana	31° 17' N	92° 27' W
Maine	45° 25' N	69° 48' W
Maryland	39° 58' N	76° 30' W
Massachusetts	42° 29' N	71° 27' W
Michigan	42° 57' N	85° 29' W
Minnesota	43° 39' N	93° 21' W
Mississippi	32° 35' N	89° 37' W
Missouri	37° 9' N	91° 8' W
Montana	46° 8' N	110° 2' W
Nebraska	42° 22' N	99° 30' W



SOLARTECH
POWER, INC.

SolarTech Power, Inc.

www.solartechpower.com
sales@solartechpower.com

1070 N. Kraemer Pl
Anaheim, CA 92806
Tel: 714-237-7503
Toll Free: 800-966-5018
Fax: 714-237-7501

Best Angle for Your Solar Panel (continued)

State	latitude	longitude
Nevada	39° 10' N	119° 46' W
New Hampshire	44° 03' N	71° 02' W
New Jersey	39° 38' N	74° 46' W
New Mexico	32° 54' N	105° 57' W
New York	40° 7' N	74° W
North Carolina	35° 42' N	79° 48' W
North Dakota	47° 55' N	101° W
Ohio	41° 03' N	81° 31' W
Oklahoma	35° N	97° 29' W
Oregon	44° 38' N	123° 07' W
Pennsylvania	40° 36' N	75° 28' W
Rhode Island	41° 30' N	71° 20' W
South Carolina	34° 30' N	82° 29' W
South Dakota	45° 27' N	98° 26' W
Tennessee	35° 26' N	84° 35' W
Texas	31° 90' N	99° 91' W
Utah	39° 30' N	111° W
Vermont	44° 12' N	72° 31' W
Virginia	38° 47' N	77° 05' W
Washington	38° 9' N	77° 57' W
West Virginia	38° 5' N	80° 40' W
Wisconsin	44° 16' N	88° 24' W
Wyoming	42° 54' N	106° 29' W